

INSTALLATION INSTRUCTIONS:

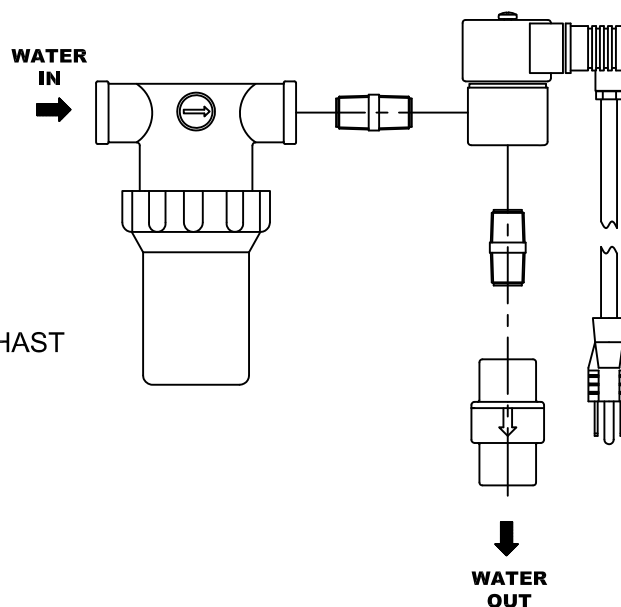
1. Turn off circulation pump
2. Local electrical codes must be followed.
3. Install the solenoid valve kit to the erosion feeder as shown in system diagram on backside of this sheet.
 Additional fittings may be necessary.
 Use Teflon tape on pipe threads- do not over-tighten fittings.
 Install the inline filter just upstream of the solenoid valve inlet port.
3. The erosion feeder should be installed so there is a pressure drop between the inlet and outlet.
 The return line should be downstream of the pool filter and heater so concentrated chemicals do not attack components. This can be accomplished by adding a bypass in the pool's circulation system.
- 3.1 "Water In" connection to solenoid valve/erosion feeder:
 Install bypass fitting between the pool's circulation pump and pool's filter.
- 3.2 "Water Out" connection from solenoid valve/erosion feeder:
 Install bypass fitting downstream of pool's heater.
4. Plug the electric power cord of the solenoid valve into the 'ORP' power cord coming out of the controller.
5. Turn on circulation pump and check for leaks.

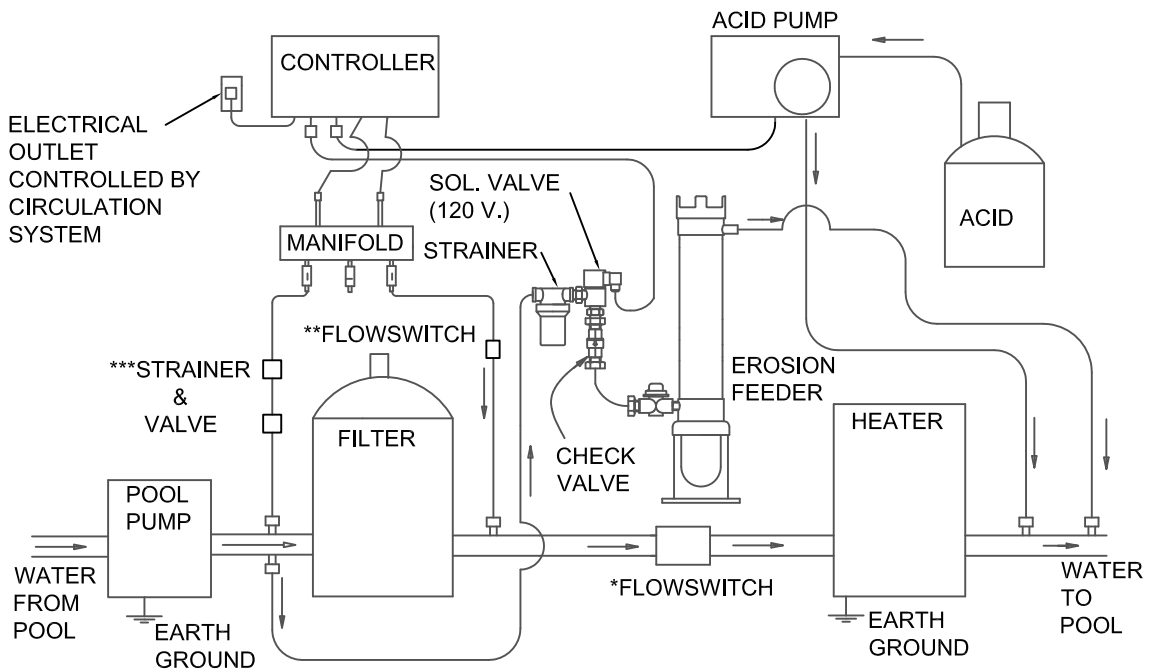
NOTES:

1. Mount check valve higher than input port of erosion feeder.
2. If a flowmeter is added, it should be between strainer and solenoid valve.
3. pH must be maintained between 7.4 - 7.6 to use ORP controller with an erosion feeder.
 Use chlorine neutralizer in water sample prior to adding reagent when checking pH with test kit.

KIT CONTENTS:

Qty	Part Number	Description
1	550097	Solenoid Valve, 120V, 3/8 FNPT
1	524155	Cord, 120V 18-3 SJT
1	7084490	Strainer, B P-3/8 FNPT-40 Poly-V
1	6930790	Check Valve, FP CHK 693-6F6F-F,DP,1/3#,HAST
2	550101	Nipple, PVC, 3/8 NPT
1	550098	Instructions



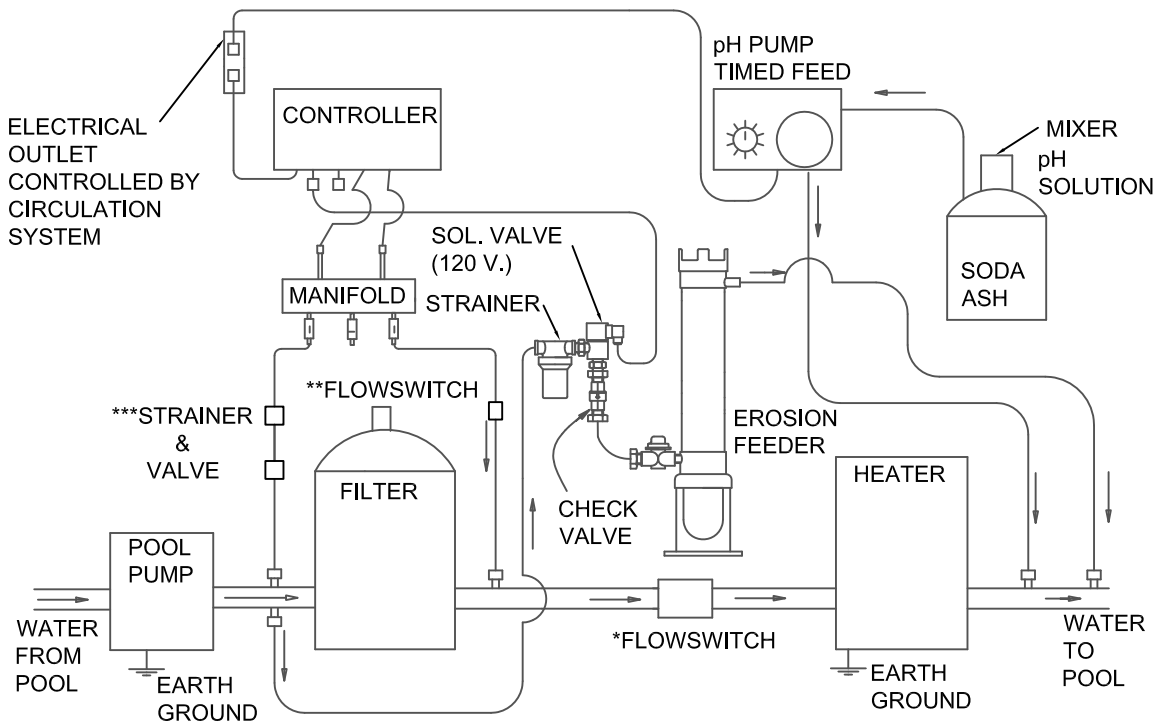


**SYSTEM USING EROSION FEEDER WITH ACID PUMP
(CALCIUM HYPOCHLORITE & MURIATIC ACID)**

*SAFETY FLOWSWITCH FOR PROTECTION OF HEATER AND TO ENSURE DILUTION OF CHEMICAL INTO POOL.

**OPTIONAL SAFETY FLOWSWITCH TO ENSURE CIRCULATION TO CONTROL PROBES AND INDICATOR THAT POOL CIRCULATION IS OCCURRING.

*** OPTIONAL STRAINER AND VALVE TO HELP KEEP MANIFOLD AND PROBES CLEAR OF DEBRIS.



SYSTEM USING EROSION FEEDER (TRI-CHLOR/ DI-CHLOR) WITH SODA ASH PUMP

*SAFETY FLOWSWITCH FOR PROTECTION OF HEATER AND TO ENSURE DILUTION OF CHEMICAL INTO POOL.

**OPTIONAL SAFETY FLOWSWITCH TO ENSURE CIRCULATION TO CONTROL PROBES AND INDICATOR THAT POOL CIRCULATION IS OCCURRING.

*** OPTIONAL STRAINER AND VALVE TO HELP KEEP MANIFOLD AND PROBES CLEAR OF DEBRIS.