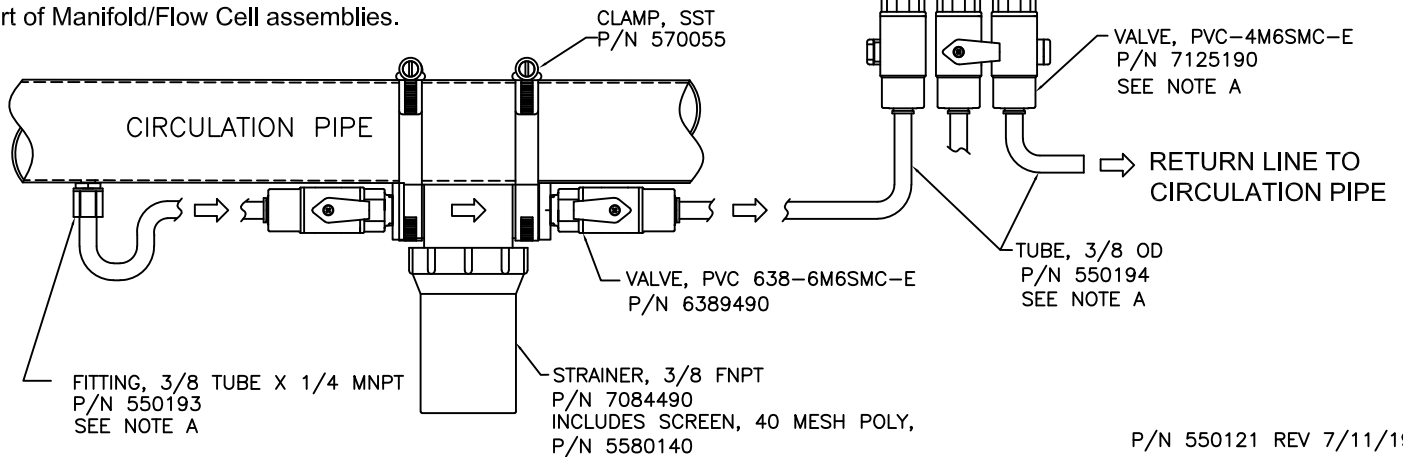


INSTALLATION INSTRUCTIONS:

* TURN OFF WATER CIRCULATION PUMP DURING INSTALLATION

1. Use two hose clamps to fasten strainer to underside of circulation system pipe.
2. Cut 1/4 inch (or 3/8 inch) tubing line going from circulation pipe to Flowcell input valve.
(Cut it at a location near the mounted strainer so that additional tubing may not be needed.)
3. Re-attached the cut ends of tubing into the fittings in both ends of the stainer openings. (Valves are provided in Kits to isolate the strainer when it is cleaned.)
4. Tighten fittings to secure tubing--do not over tighten.
5. Turn on circulation pump (open isolation valves if used) and check for leaks.

NOTE A: These parts are not included in Strainer Kits, they are part of Manifold/Flow Cell assemblies.



INSTALLATION INSTRUCTIONS:

* TURN OFF WATER CIRCULATION PUMP DURING INSTALLATION

1. Use two hose clamps to fasten strainer to underside of circulation system pipe.
2. Cut 1/4 inch (or 3/8 inch) tubing line going from circulation pipe to Flowcell input valve.
(Cut it at a location near the mounted strainer so that additional tubing may not be needed.)
3. Re-attached the cut ends of tubing into the fittings in both ends of the stainer openings. (Valves are provided in Kits to isolate the strainer when it is cleaned.)
4. Tighten fittings to secure tubing--do not over tighten.
5. Turn on circulation pump (open isolation valves if used) and check for leaks.

NOTE A: These parts are not included in Strainer Kits, they are part of Manifold/Flow Cell assemblies.

