

ROLA-CHEM®

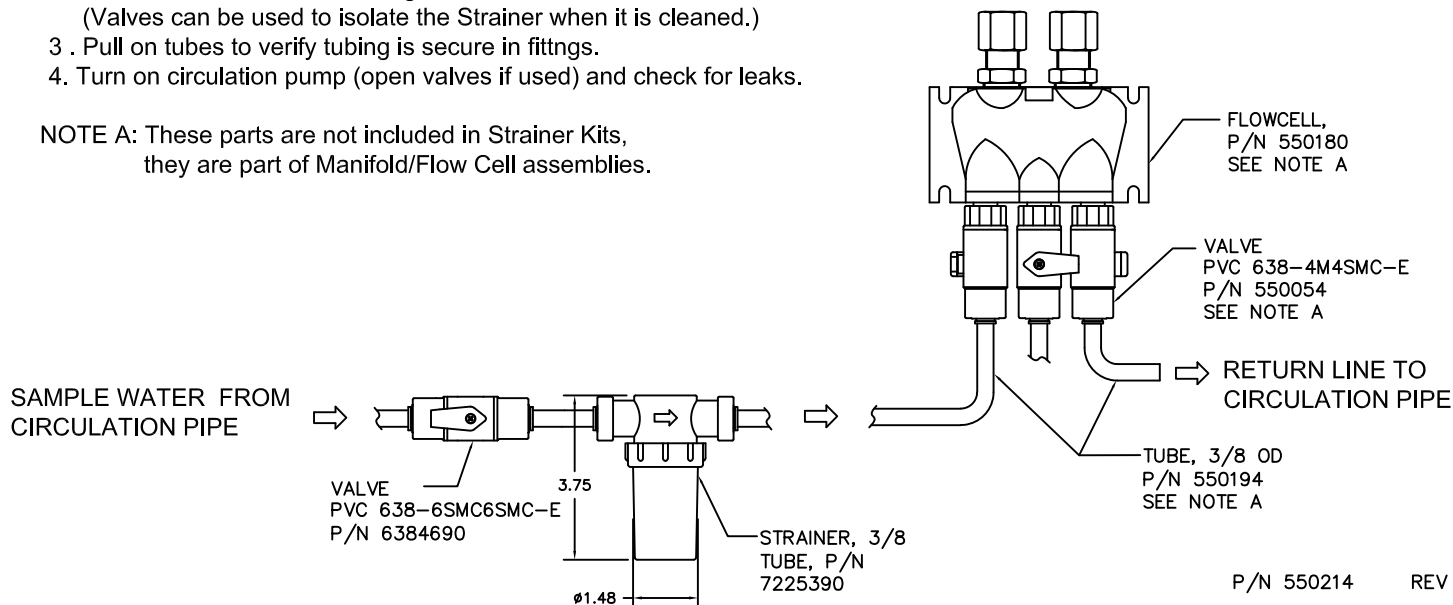
STRAINER KIT, SMALL P/N 550592 (3/8" TUBING)

INSTALLATION INSTRUCTIONS:

* TURN OFF WATER CIRCULATION PUMP DURING INSTALLATION

1. Install Strainer into 3/8 inch tubing line going from circulation pipe to Flowcell input Valve.
2. Insert Valve with 3/8 tube fitting to create a shut-off before Strainer.
(Valves can be used to isolate the Strainer when it is cleaned.)
3. Pull on tubes to verify tubing is secure in fittings.
4. Turn on circulation pump (open valves if used) and check for leaks.

NOTE A: These parts are not included in Strainer Kits,
they are part of Manifold/Flow Cell assemblies.



ROLA-CHEM®

STRAINER KIT, SMALL P/N 550592 (3/8" TUBING)

INSTALLATION INSTRUCTIONS:

* TURN OFF WATER CIRCULATION PUMP DURING INSTALLATION

1. Install Strainer into 3/8 inch tubing line going from circulation pipe to Flowcell input Valve.
2. Insert Valve with 3/8 tube fitting to create a shut-off before Strainer.
(Valves can be used to isolate the Strainer when it is cleaned.)
3. Pull on tubes to verify tubing is secure in fittings.
4. Turn on circulation pump (open valves if used) and check for leaks.

NOTE A: These parts are not included in Strainer Kits,
they are part of Manifold/Flow Cell assemblies.

