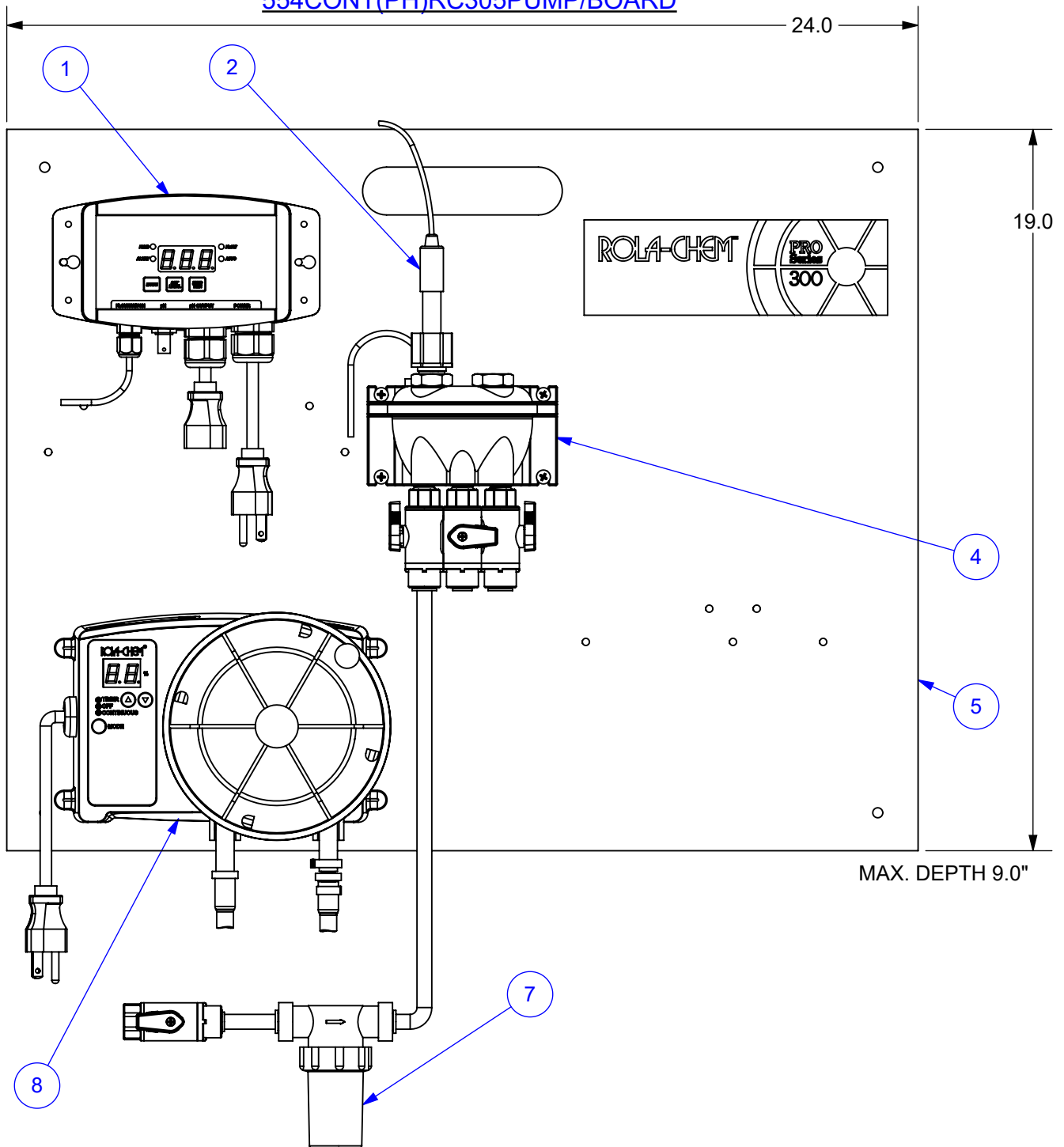


# 554513

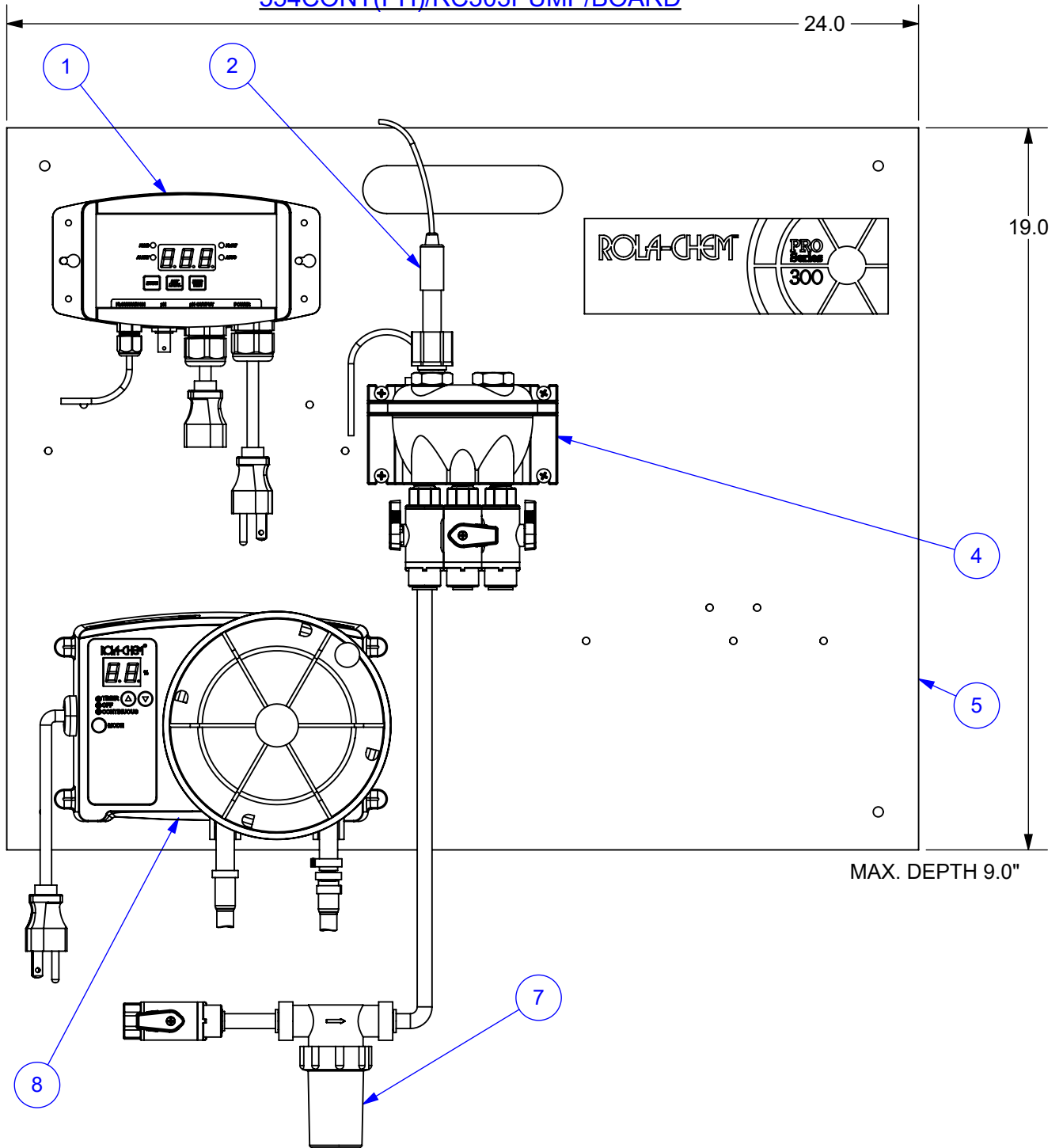
## 554CONT(PH)RC305PUMP/BOARD



554513 - 554CONT(PH)RC305PUMP/BOARD		
ITEM	PART NO.	DESCRIPTION
1	554210	DIG CONTROLLER-PH(870)
2	550208	PROBE,PH,HD,3FT CABLE
3	----	----
4	550184	FLOWCELL,GLOBE,PH CONT,ASSY
5	550158	BOARD-24X19,PUMP/CONTR MT,POLY
6	----	----
7	550592	STRAINER KIT,3/8 TUBE,SMALL
8	543820	RC305MC,120V,PUMP,SH,CORD/TYGO (38 GPD)

# 554514

## 554CONT(PH)/RC303PUMP/BOARD



554514 - 554CONT(PH)/RC303PUMP/BOARD		
ITEM	PART NO.	DESCRIPTION
1	554210	DIG CONTROLLER-PH(870)
2	550208	PROBE,PH,HD,3FT CABLE
3	----	----
4	550184	FLOWCELL,GLOBE,PH CONT,ASSY
5	550158	BOARD-24X19,PUMP/CONTR MT,POLY
6	----	----
7	550592	STRAINER KIT,3/8 TUBE,SMALL
8	543812	RC303MC,120V,PUMP,SHORT,CORD (12 GPD)