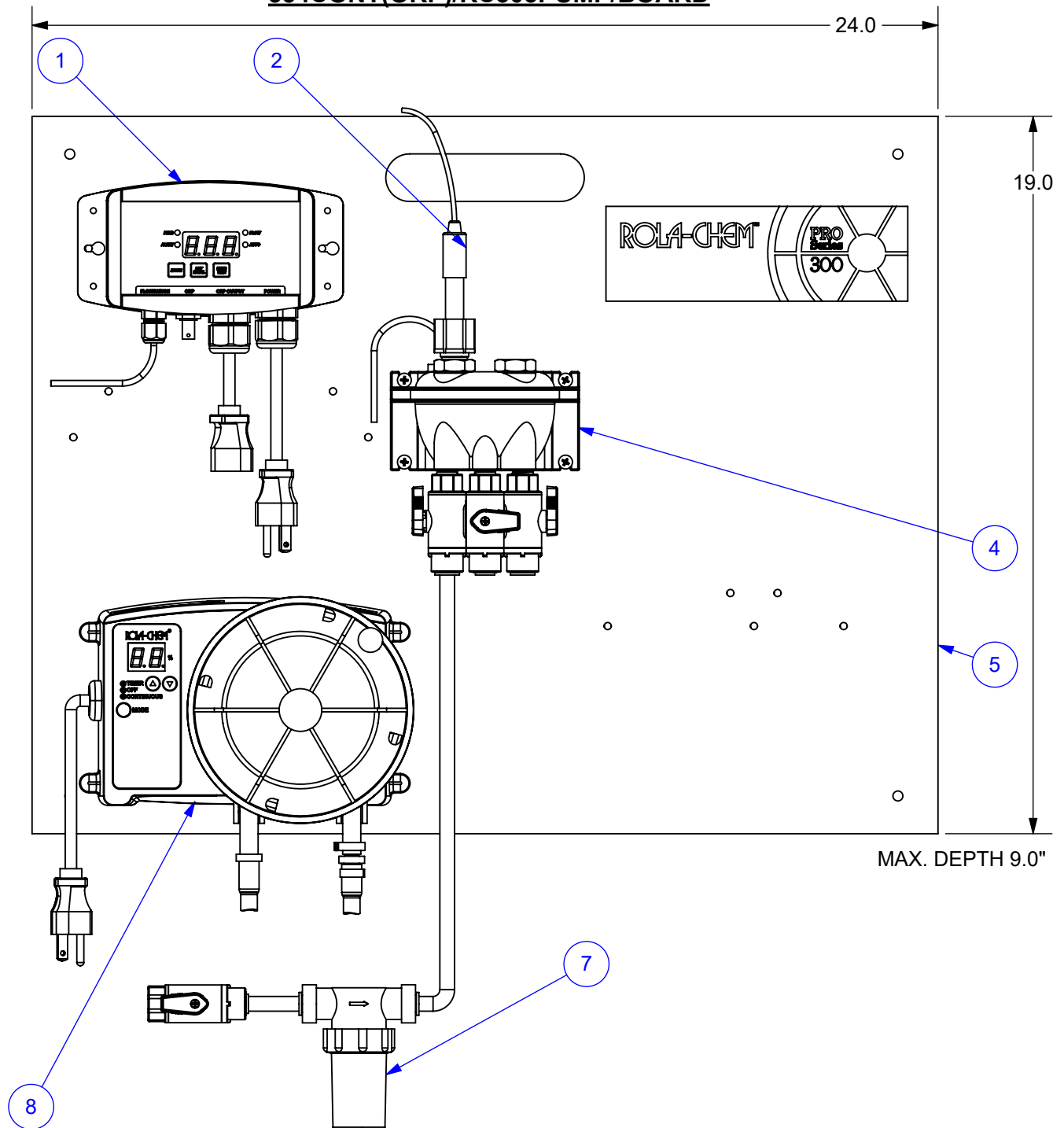


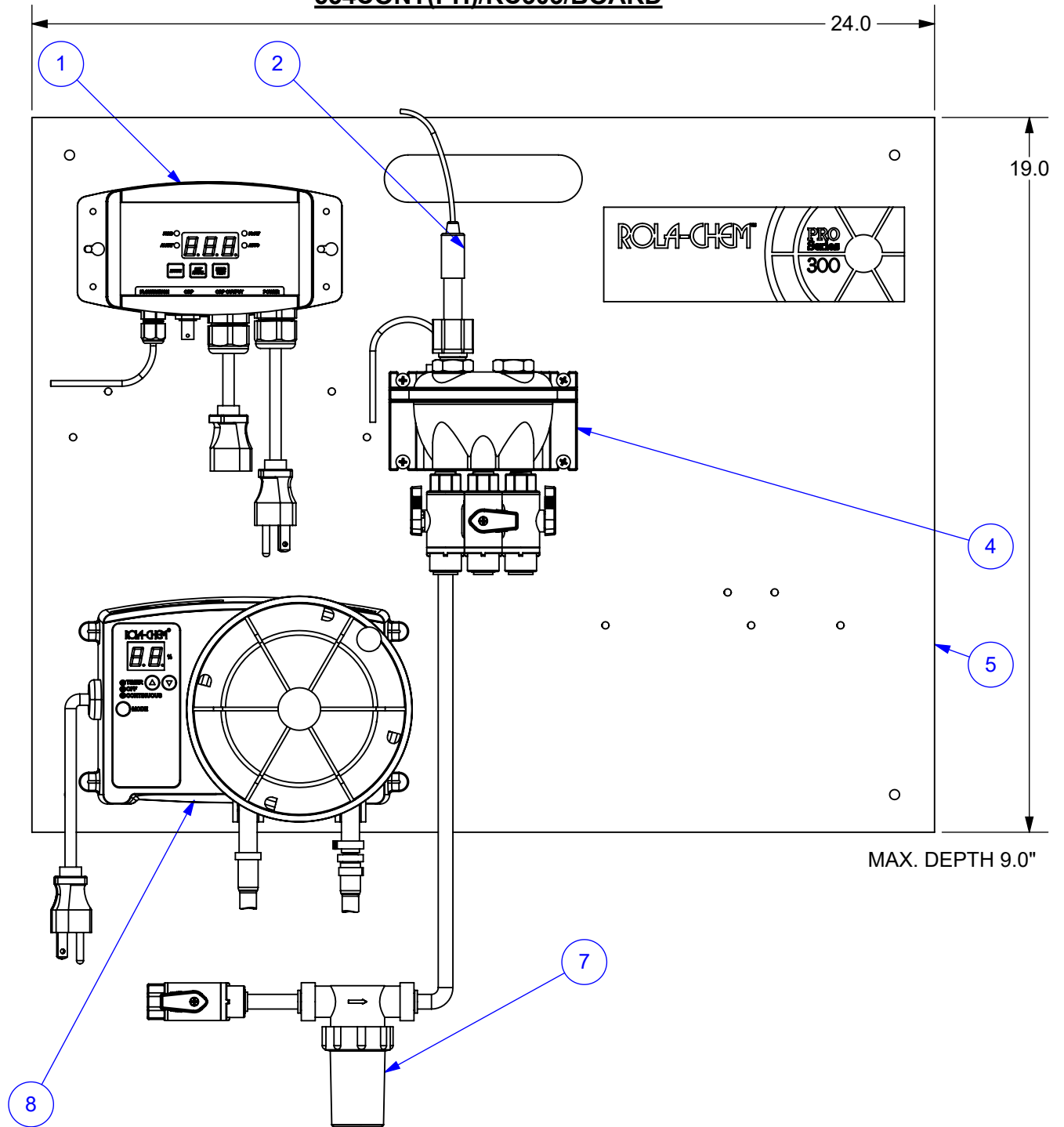
554516
554CONT(ORP)/RC305PUMP/BOARD



554516 - 554CONT(ORP)/RC305PUMP/BOARD		
ITEM	PART NO.	DESCRIPTION
1	554225	DIG CONTROLLER-ORP(875)
2	550209	PROBE,ORP,HD,3FT CABLE
3	----	----
4	550184	FLOWCELL,GLOBE,PH CONT,ASSY
5	550158	BOARD-24X19,PUMP/CONTR MT,POLY
6	----	----
7	550592	STRAINER KIT,3/8 TUBE,SMALL
8	543820	RC305MC,120V,PUMP,SH,CORD/TYGO (38 GPD)

BOARD CONFIGURATION M - [CLICK HERE](#)
 TO ACCESS CAD FILE.

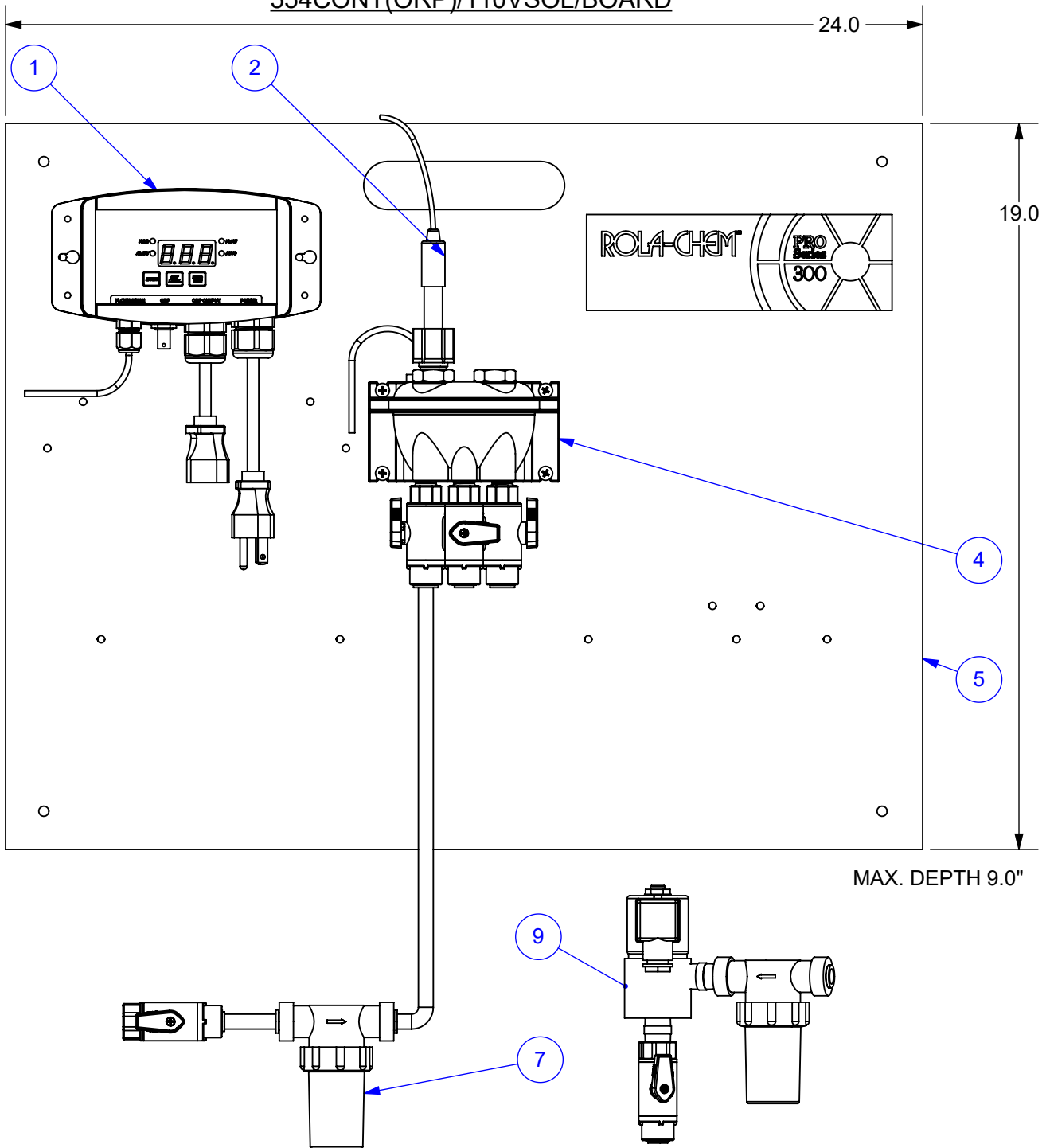
554517
554CONT(PH)/RC303/BOARD



554517 - 554CONT(PH)/RC303/BOARD		
ITEM	PART NO.	DESCRIPTION
1	554225	DIG CONTROLLER-ORP(875)
2	550209	PROBE,ORP,HD,3FT CABLE
3	----	----
4	550184	FLOWCELL,GLOBE,PH CONT,ASSY
5	550158	BOARD-24X19,PUMP/CONTR MT,POLY
6	----	----
7	550592	STRAINER KIT,3/8 TUBE,SMALL
8	543812	RC303MC,120V,PUMP,SHORT,CORD (12 GPD)

554229

554CONT(ORP)/110VSOL/BOARD



554229 - 554CONT(ORP)/110VSOL/BOARD		
ITEM	PART NO.	DESCRIPTION
1	554225	DIG CONTROLLER-ORP(875)
2	550209	PROBE,ORP,HD,3FT CABLE
3	----	----
4	550184	FLOWCELL,GLOBE,PH CONT,ASSY
5	550158	BOARD-24X19,PUMP/CONTR MT,POLY
6	----	----
7	550592	STRAINER KIT,3/8 TUBE,SMALL
	----	----
9	550290	SOLENOID VALVE KIT,120V,3/8NPT