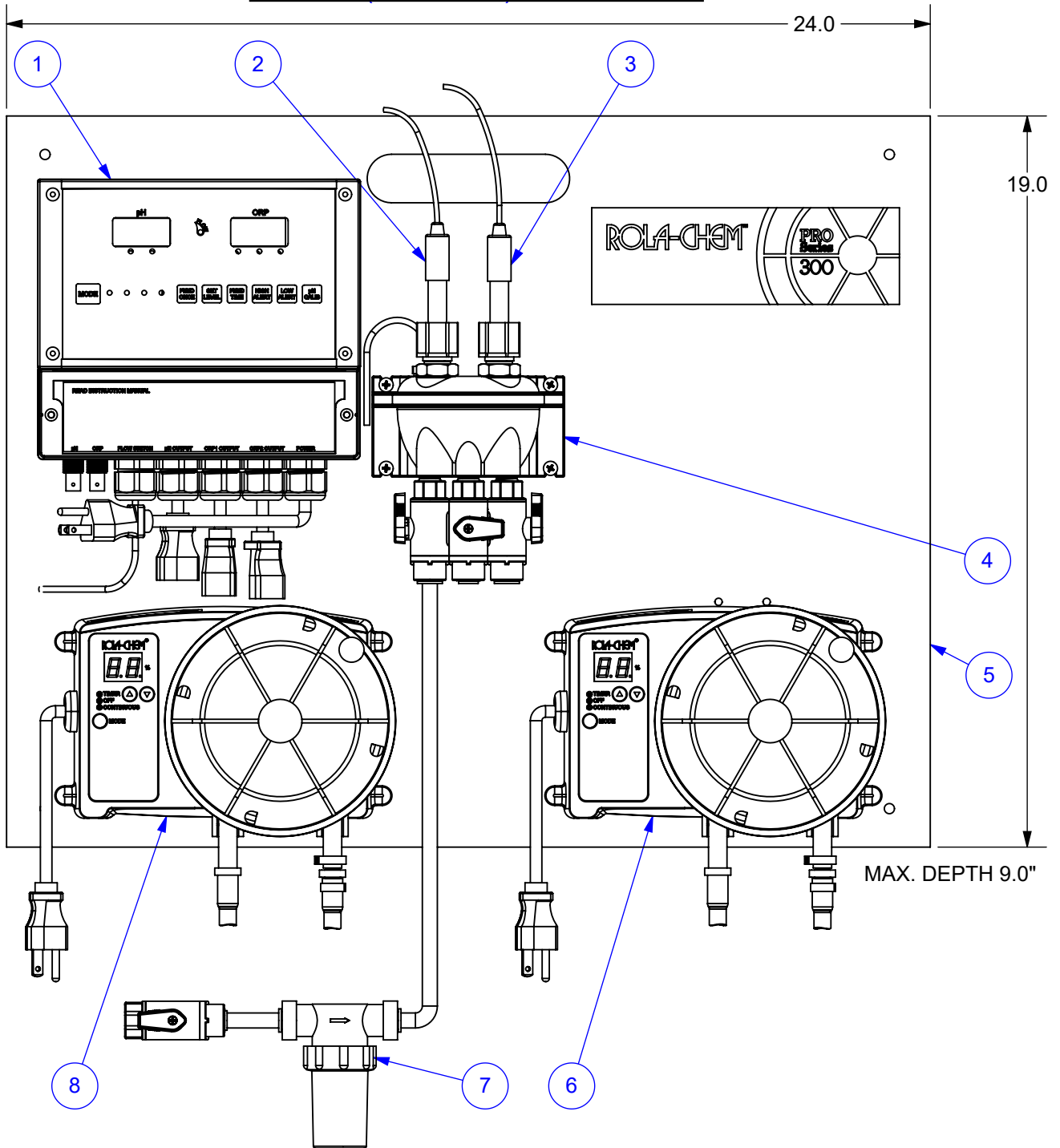


# 554518

554CONT(2XORP-PH)/2-RC305PUM/B

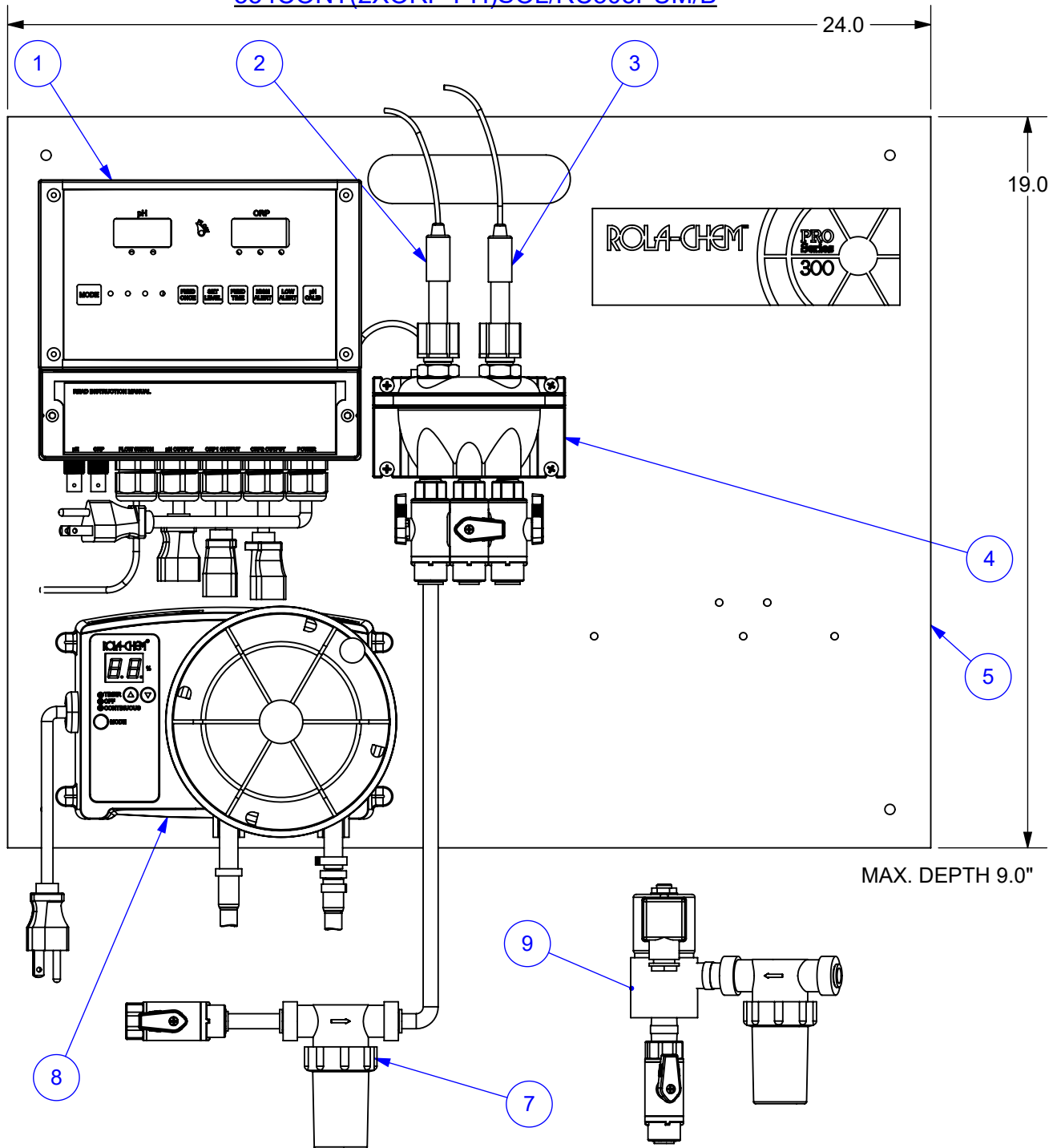


554518 - 554CONT(2XORP-PH)/2-RC305PUM/B		
ITEM	ITEM NO.	DESCRIPTION
1	554310	DIG CONTROLLER-2XORP/PH(815)
2	550208	PROBE,PH,HD,3FT CABLE
3	550201	PROBE,ORP,GOLD TIP, 8FT
4	550180	FLOWCELL,GLOBE,..375,W/GRD AS'Y
5	550158	BOARD-24X19,PUMP/CONTR MT,POLY
6	543820	RC305MC,120V,PUMP,SH,CORD/TYGO (38 GPD)
7	550592	STRAINER KIT,3/8 TUBE,SMALL
8	543820	RC305MC,120V,PUMP,SH,CORD/TYGO (38 GPD)

[BOARD CONFIGURATION Q - CLICK HERE TO ACCESS CAD FILE.](#)

# 554519

554CONT(2XORP-PH)SOL/RC305PUM/B

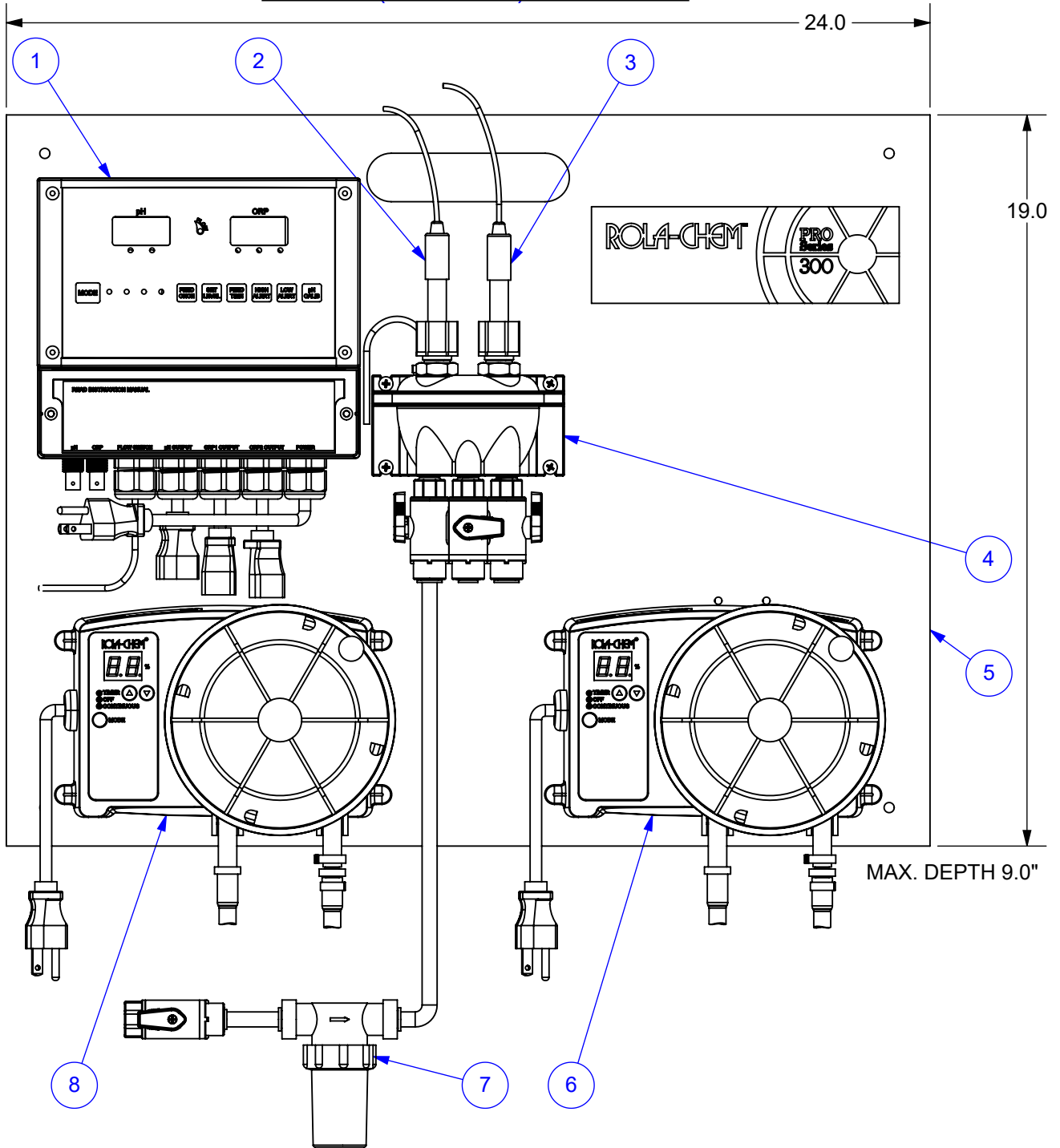


554519 - 554CONT(2XORP-PH)SOL/RC305PUM/B		
ITEM	ITEM NO.	DESCRIPTION
1	554310	DIG CONTROLLER-2XORP/PH(815)
2	550208	PROBE,PH,HD,3FT CABLE
3	550201	PROBE,ORP,GOLD TIP, 8FT
4	550180	FLOWCELL,GLOBE,.375,W/GRD AS'Y
5	550158	BOARD-24X19,PUMP/CONTR MT,POLY
6	----	----
7	550592	STRAINER KIT,3/8 TUBE,SMALL
8	543820	RC305MC,120V,PUMP,SH,CORD/TYGO (38 GPD)
9	550290	SOLENOID VALVE KIT,120V,3/8NPT

[BOARD CONFIGURATION R - CLICK HERE TO ACCESS CAD FILE.](#)

# 554520

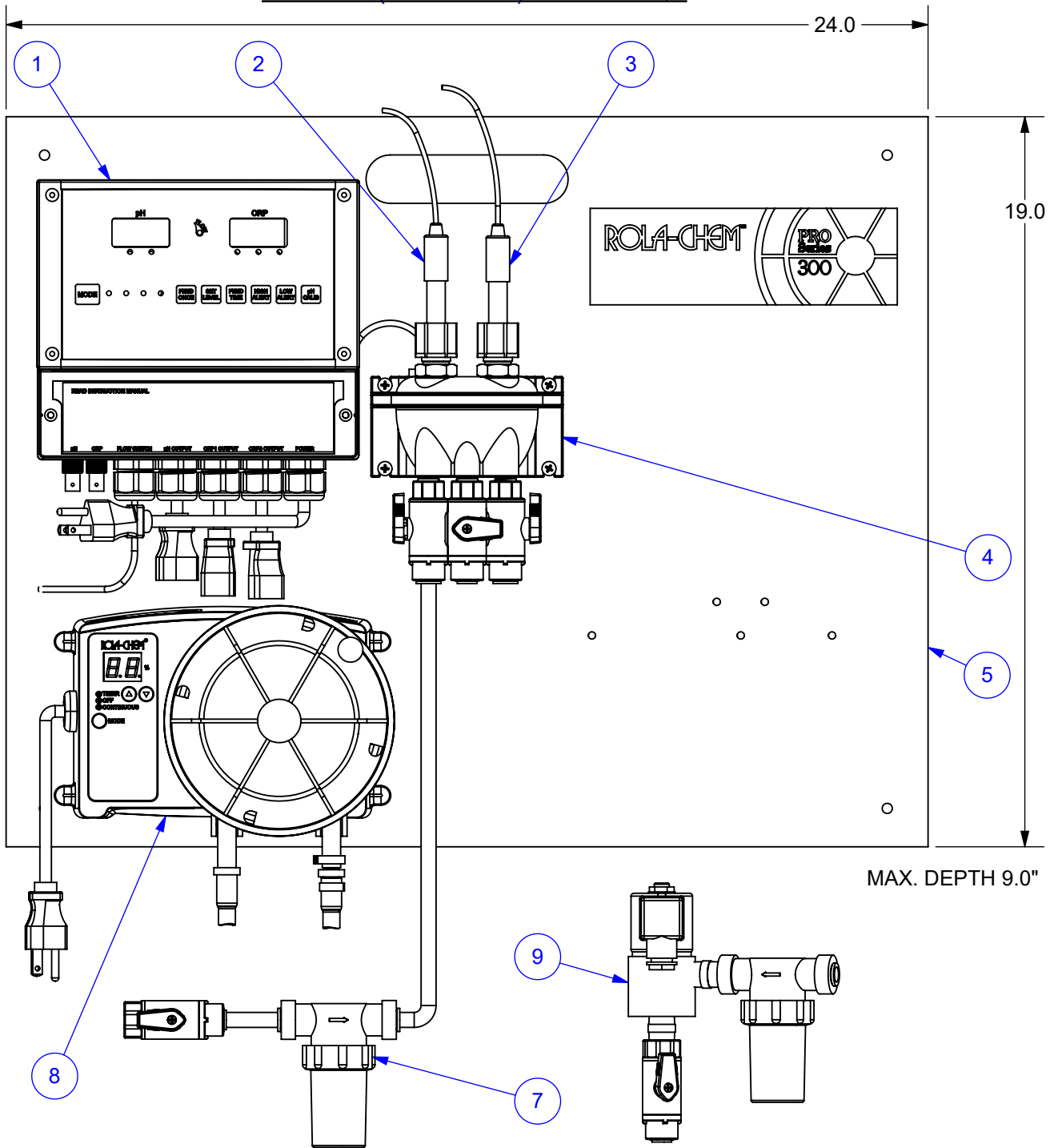
## 554CONT(2XORP-PH)RC305&303/B



554520 - 554CONT(2XORP-PH)RC305&303/B		
ITEM	ITEM NO.	DESCRIPTION
1	554310	DIG CONTROLLER-2XORP/PH(815)
2	550208	PROBE,PH,HD,3FT CABLE
3	550201	PROBE,ORP,GOLD TIP, 8FT
4	550180	FLOWCELL,GLOBE,..375,W/GRD AS'Y
5	550158	BOARD-24X19,PUMP/CONTR MT,POLY
6	543820	RC305MC,120V,PUMP,SH,CORD/TYGO (38 GPD)
7	550592	STRAINER KIT,3/8 TUBE,SMALL
8	543812	RC303MC,120V,PUMP,SHORT,CORD (12 GPD)

# 554521

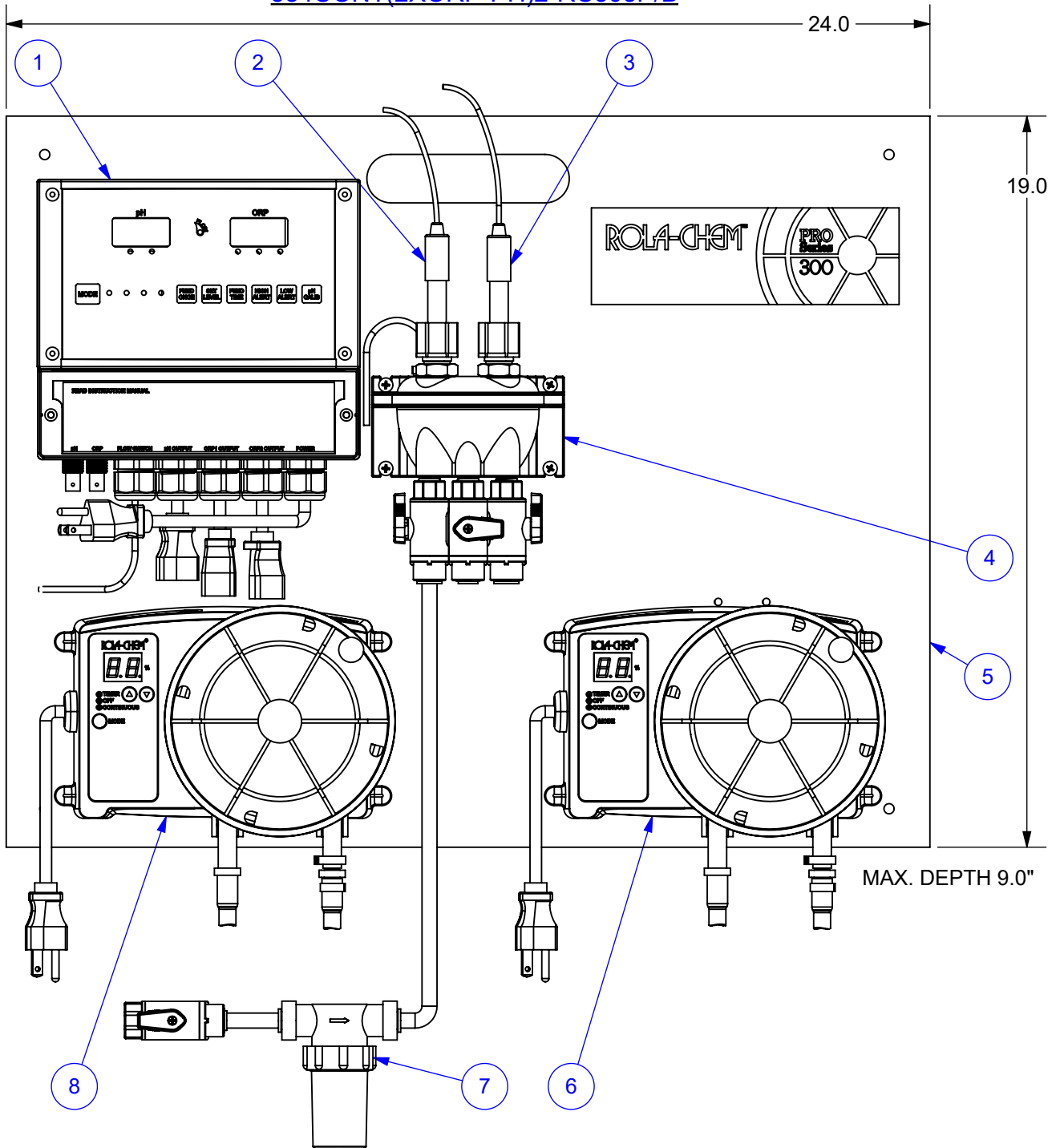
## 554CONT(2XORP-PH)SOL/RC303,B



554521 - 554CONT(2XORP-PH)SOL/RC303,B		
ITEM	ITEM NO.	DESCRIPTION
1	554310	DIG CONTROLLER-2XORP/PH(815)
2	550208	PROBE,PH,HD,3FT CABLE
3	550201	PROBE,ORP,GOLD TIP, 8FT
4	550180	FLOWCELL,GLOBE,.375,W/GRD AS'Y
5	550158	BOARD-24X19,PUMP/CONTR MT,POLY
6	----	----
7	550592	STRAINER KIT,3/8 TUBE,SMALL
8	543812	RC303MC,120V,PUMP,SHORT,CORD (12 GPD)
9	550290	SOLENOID VALVE KIT,120V,3/8NPT

# 554522

## 554CONT(2XORP-PH)2-RC303P/B



554522 - 554CONT(2XORP-PH)2-RC303P/B		
ITEM	ITEM NO.	DESCRIPTION
1	554310	DIG CONTROLLER-2XORP/PH(815)
2	550208	PROBE,PH,HD,3FT CABLE
3	550201	PROBE,ORP,GOLD TIP, 8FT
4	550180	FLOWCELL,GLOBE,,375,W/GRD AS'Y
5	550158	BOARD-24X19,PUMP/CONTR MT,POLY
6	543812	RC303MC,120V,PUMP,SHORT,CORD (12 GPD)
7	550592	STRAINER KIT,3/8 TUBE,SMALL
8	543812	RC303MC,120V,PUMP,SHORT,CORD (12 GPD)

[BOARD CONFIGURATION Q - CLICK HERE TO ACCESS CAD FILE.](#)