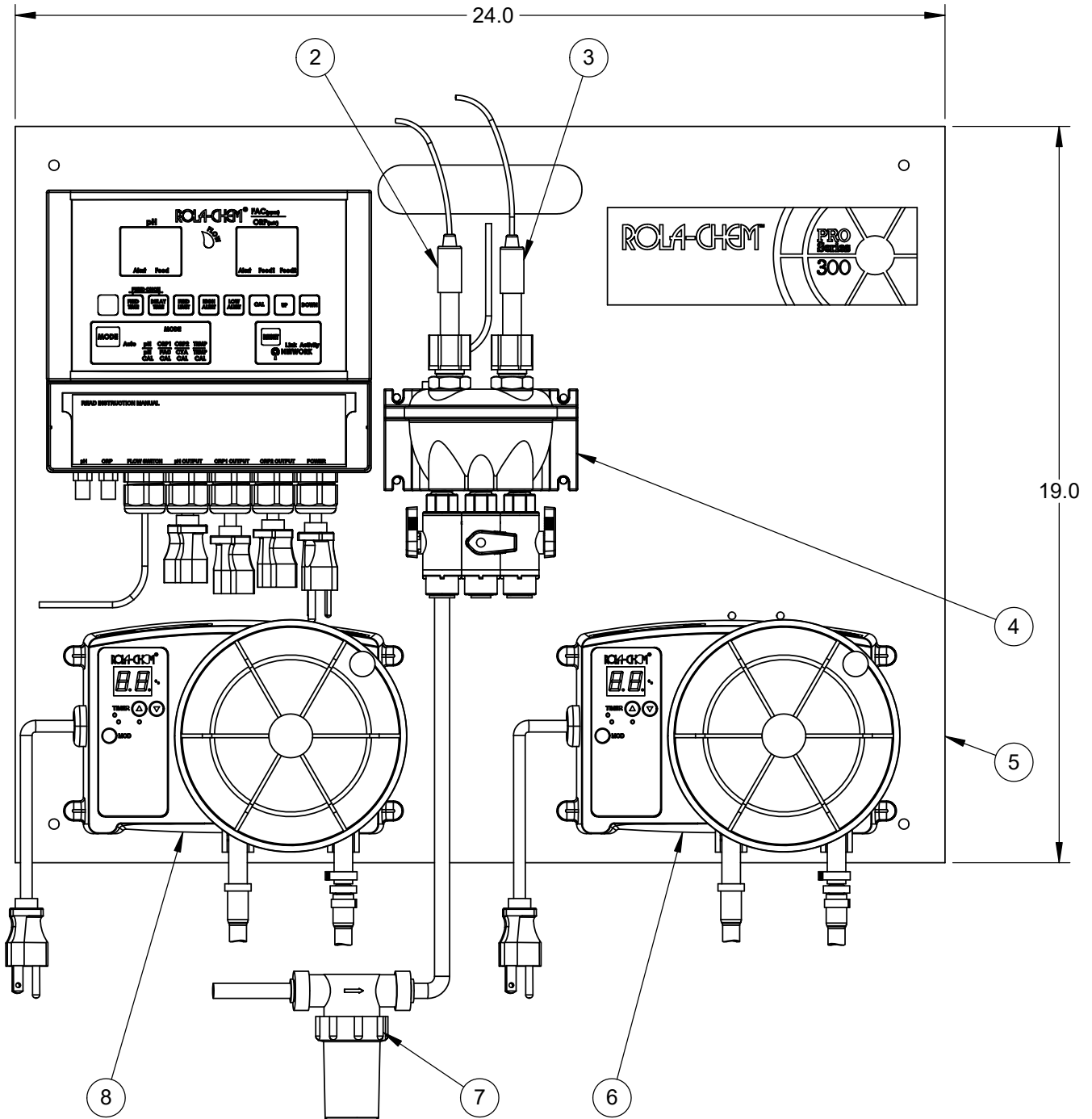
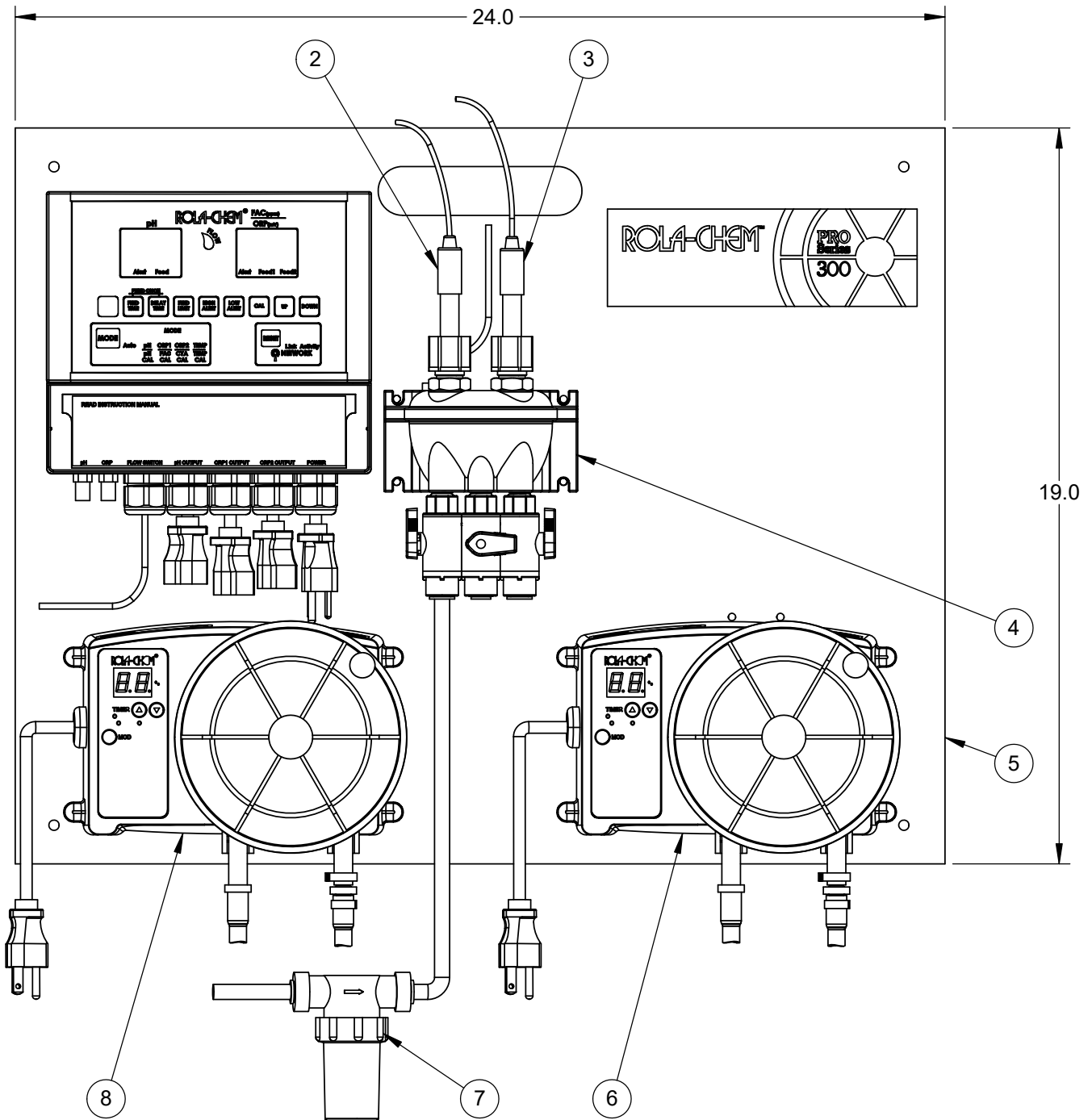


**555007**  
**S,PPM,N,3,3,T,305,305**



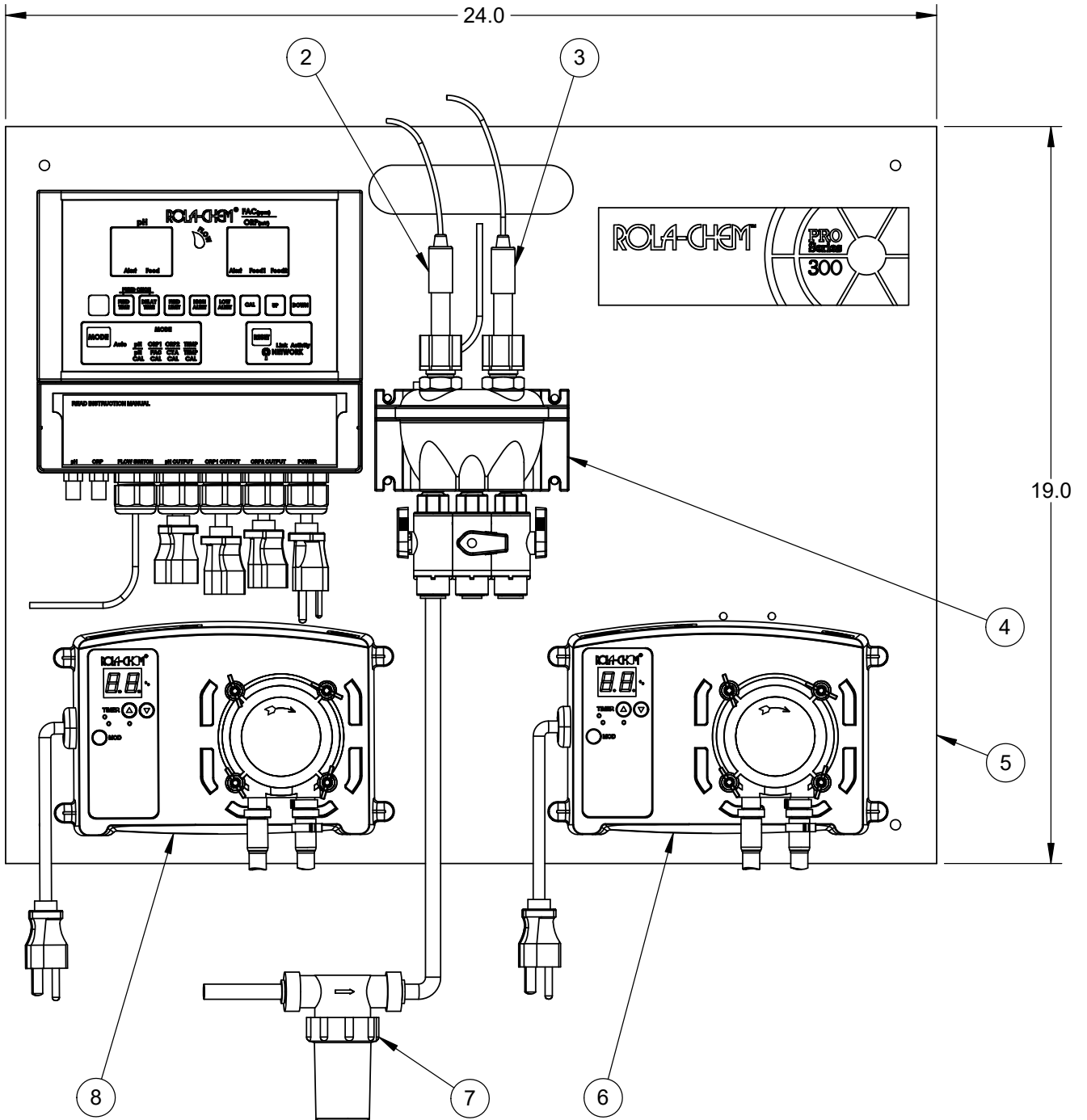
<b>555007 - S,PPM,N,3,3,T,305,305</b>		
ITEM	PART NO.	DESCRIPTION
1	555002	DIG CONT-PPM(815B)-NSF
2	550208	PROBE,PH,HD,3FT CABLE
3	550209	PROBE,ORP,HD,3FT CABLE
4	550180	FLOWCELL,GLOBE,.375,W/GRD AS'Y
5	550158	BOARD-24X19,PUMP/CONTR MT,POLY
6	543820	RC305MC,120V,PUMP,SH,CORD/TYGO
7	550592	STRAINER KIT,3/8 TUBE,SMALL
8	543820	RC305MC,120V,PUMP,SH,CORD/TYGO

**555008**  
**S,PPM,N,3,3,T,303,305**



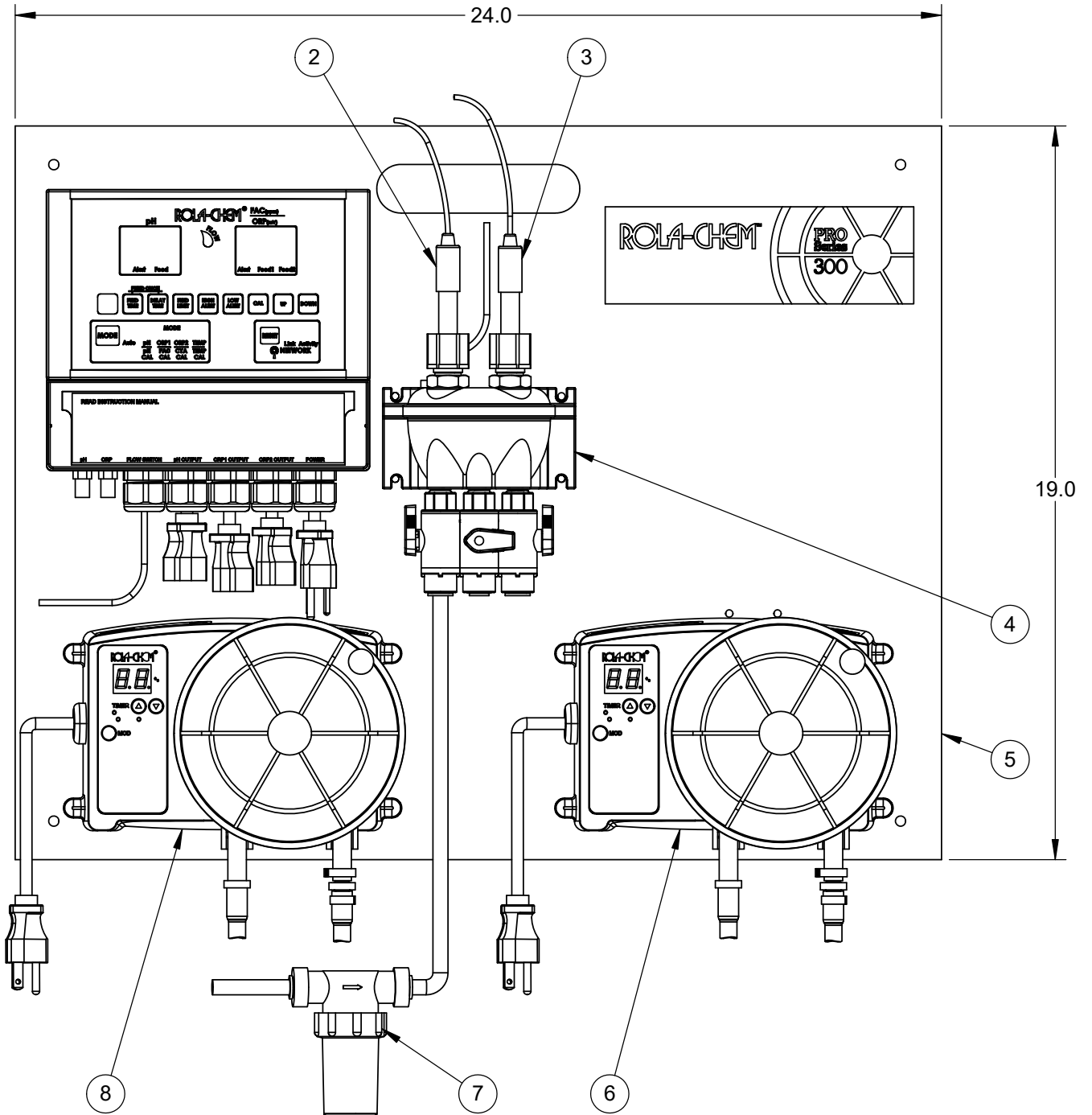
<b>555008 - S,PPM,N,3,3,T,303,305</b>		
ITEM	PART NO.	DESCRIPTION
1	555002	DIG CONT-PPM(815B)-NSF
2	550208	PROBE,PH,HD,3FT CABLE
3	550209	PROBE,ORP,HD,3FT CABLE
4	550180	FLOWCELL,GLOBE,.375,W/GRD AS'Y
5	550158	BOARD-24X19,PUMP/CONTR MT,POLY
6	543812	RC303MC,120V,PUMP,SHORT,CORD
7	550592	STRAINER KIT,3/8 TUBE,SMALL
8	543819	RC305MC,120V,PUMP,SH,CORD/NORP

**555009**  
**S,PPM,N,3,3,T,301,301**



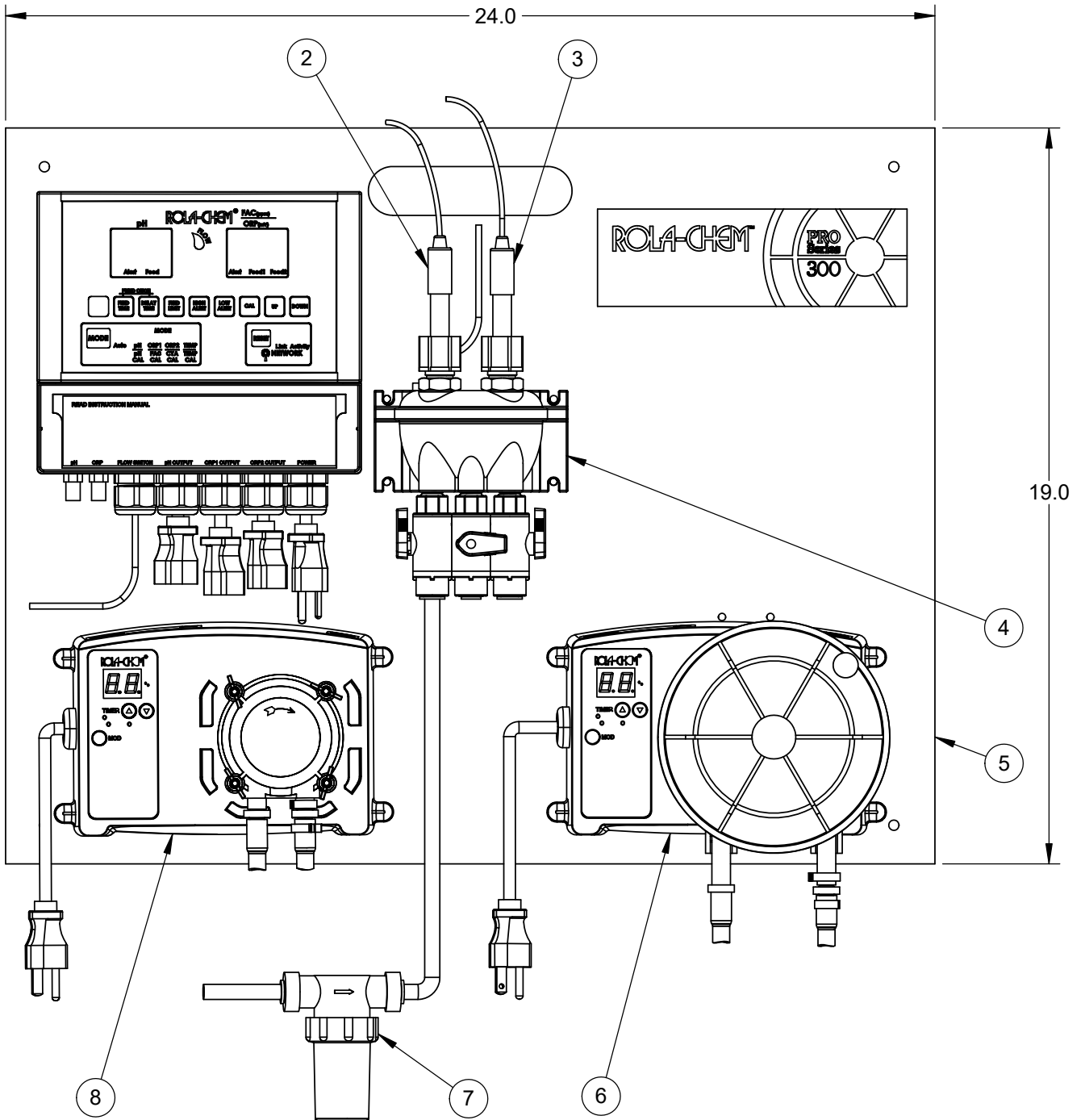
<b>OBS-555009 - S,PPM,N,3,3,T,301,301</b>		
ITEM	PART NO.	DESCRIPTION
1	555002	DIG CONT-PPM(815B)-NSF
2	550208	PROBE,PH,HD,3FT CABLE
3	550209	PROBE,ORP,HD,3FT CABLE
4	550180	FLOWCELL,GLOBE,.375,W/GRD AS'Y
5	550158	BOARD-24X19,PUMP/CONTR MT,POLY
6	543808	RC301MC,120V,PUMP,SHORT CORD
7	550592	STRAINER KIT,3/8 TUBE,SMALL
8	543808	RC301MC,120V,PUMP,SHORT CORD

**555010**  
**S,PPM,N,3,3,T,303,303**



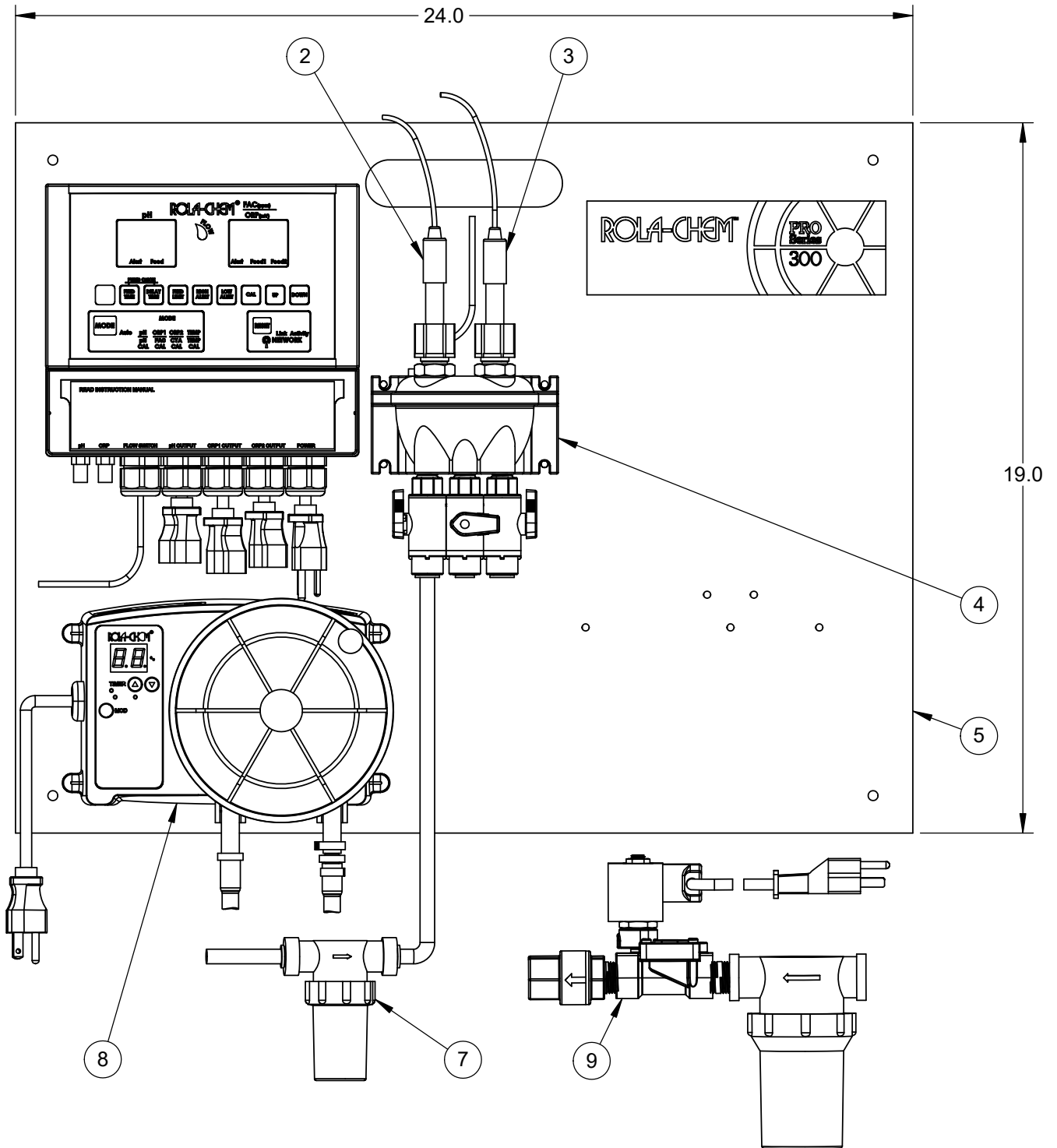
<b>555010 - S,PPM,N,3,3,T,303,303</b>		
ITEM	PART NO.	DESCRIPTION
1	555002	DIG CONT-PPM(815B)-NSF
2	550208	PROBE,PH,HD,3FT CABLE
3	550209	PROBE,ORP,HD,3FT CABLE
4	550180	FLOWCELL,GLOBE,.375,W/GRD AS'Y
5	550158	BOARD-24X19,PUMP/CONTR MT,POLY
6	543820	RC305MC,120V,PUMP,SH,CORD/TYGO
7	550592	STRAINER KIT,3/8 TUBE,SMALL
8	543820	RC305MC,120V,PUMP,SH,CORD/TYGO

**555011**  
**S,PPM,N,3,3,T,303,301**



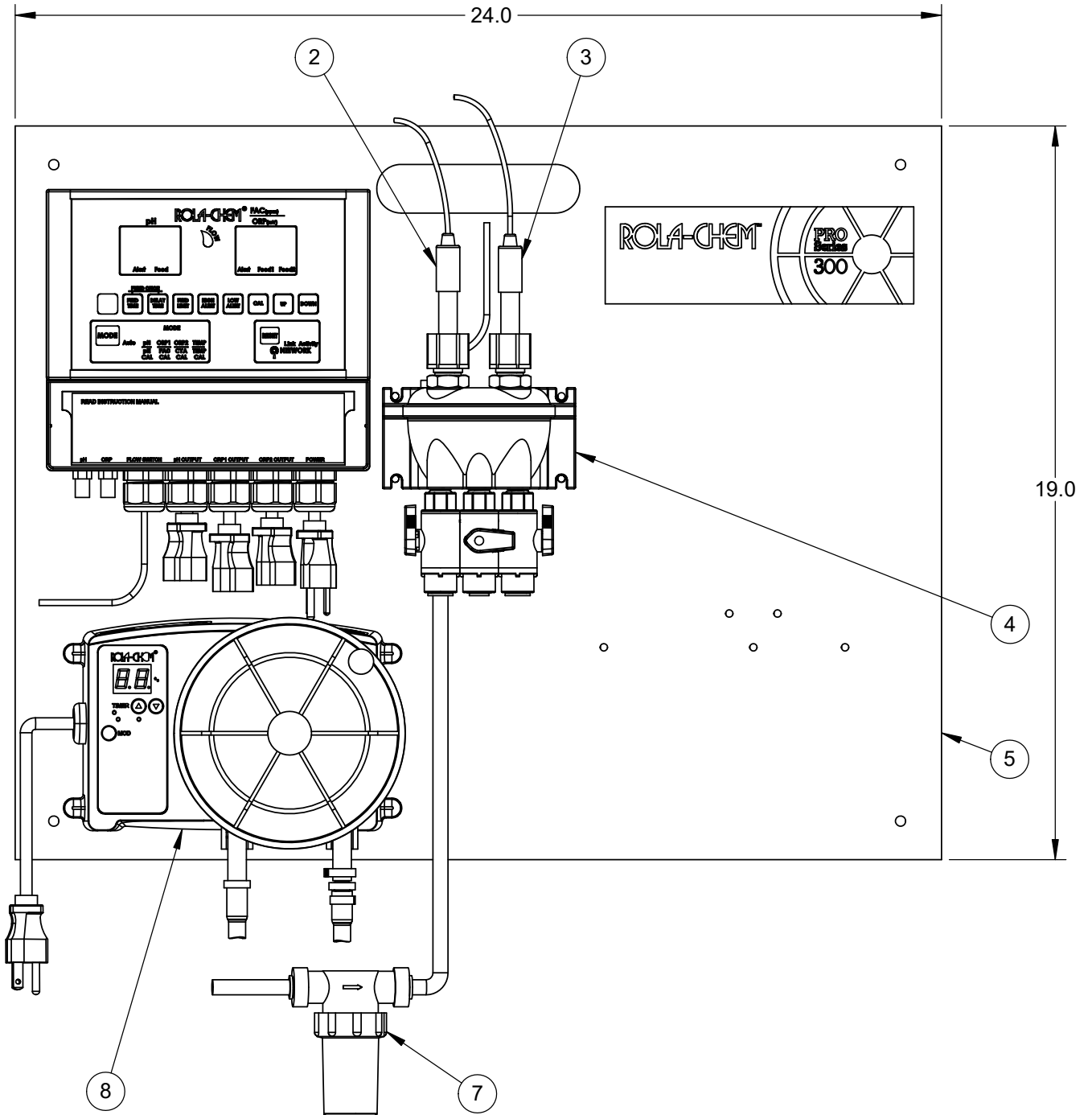
<b>555011 - S,PPM,N,3,3,T,303,301</b>		
ITEM	PART NO.	DESCRIPTION
1	555002	DIG CONT-PPM(815B)-NSF
2	550208	PROBE,PH,HD,3FT CABLE
3	550209	PROBE,ORP,HD,3FT CABLE
4	550180	FLOWCELL,GLOBE,.375,W/GRD AS'Y
5	550158	BOARD-24X19,PUMP/CONTR MT,POLY
6	543812	RC303MC,120V,PUMP,SHORT,CORD
7	550592	STRAINER KIT,3/8 TUBE,SMALL
8	543808	RC301MC,120V,PUMP,SHORT CORD

**555012**  
**S,PPM,N,3,3,T,303,--S**



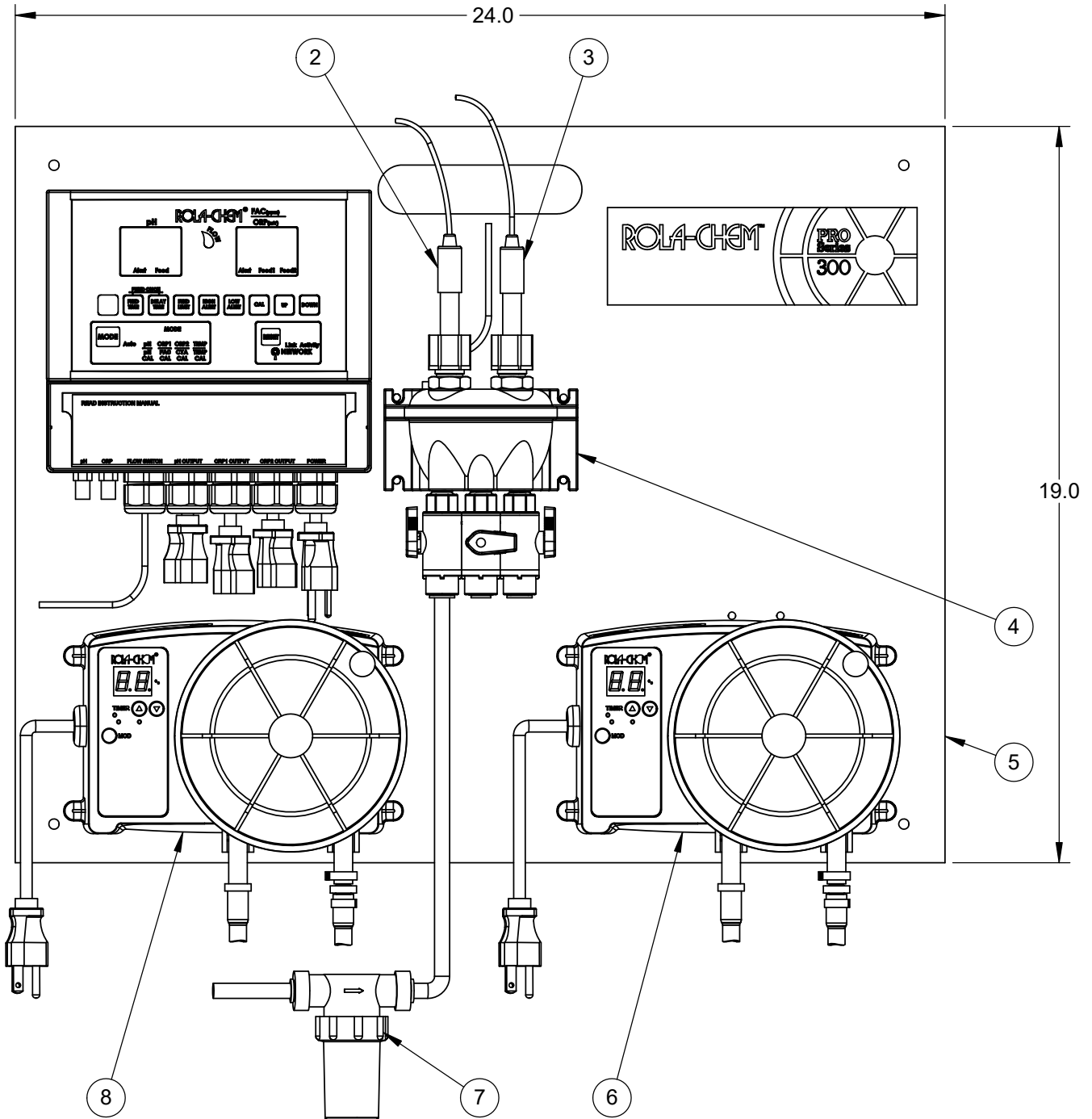
<b>555012 - S,PPM,N,3,3,T,303,--S</b>		
ITEM	PART NO.	DESCRIPTION
1	555002	DIG CONT-PPM(815B)-NSF
2	550208	PROBE,PH,HD,3FT CABLE
3	550209	PROBE,ORP,HD,3FT CABLE
4	550180	FLOWCELL,GLOBE,.375,W/GRD AS'Y
5	550158	BOARD-24X19,PUMP/CONTR MT,POLY
6	-----	
7	550592	STRAINER KIT,3/8 TUBE,SMALL
8	543812	RC303MC,120V,PUMP,SHORT,CORD
9	550300	SOLENOID VALVE KIT,120V,1/2 NPT

**555013**  
**S.PPM,N,8,G,T,303**



<b>555013 - S,PPM,N,8,G,T,303</b>		
ITEM	PART NO.	DESCRIPTION
1	555002	DIG CONT-PPM(815B)-NSF
2	550135	PROBE,PH,HD,(#RC-PHPHD),8FT
3	550201	PROBE,ORP,GOLD TIP, 8FT
4	550180	FLOWCELL,GLOBE,.375,W/GRD AS'Y
5	550158	BOARD-24X19,PUMP/CONTR MT,POLY
6	-----	
7	550592	STRAINER KIT,3/8 TUBE,SMALL
8	543812	RC303MC,120V,PUMP,SHORT,CORD

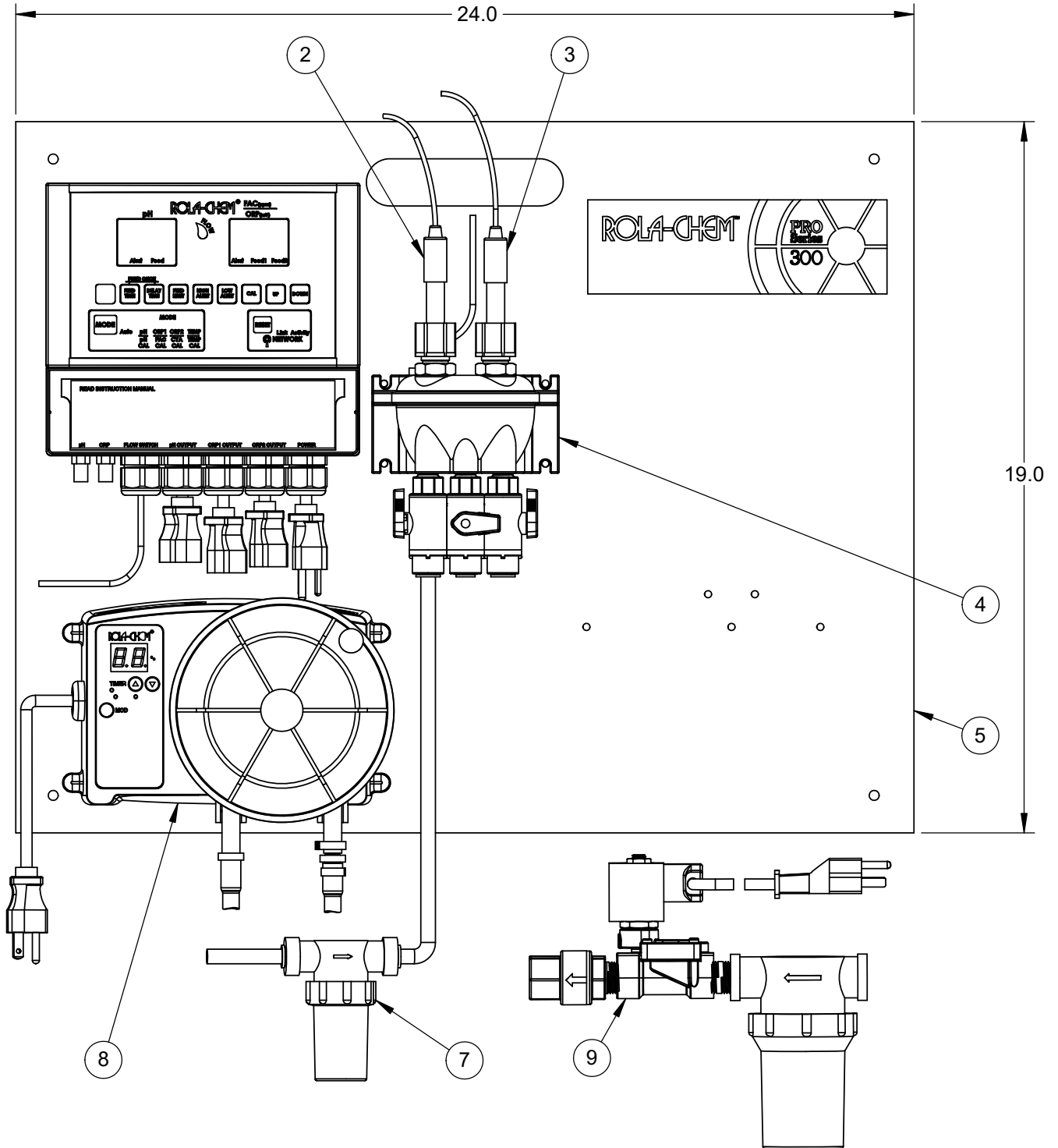
**555014**  
**S,PPM,N,3,3,T,307,307**



<b>555014 - S,PPM,N,3,3,T,307,307</b>		
ITEM	PART NO.	DESCRIPTION
1	555002	DIG CONT-PPM(815B)-NSF
2	550208	PROBE,PH,HD,3FT CABLE
3	550209	PROBE,ORP,HD,3FT CABLE
4	550180	FLOWCELL,GLOBE,.375,W/GRD AS'Y
5	550158	BOARD-24X19,PUMP/CONTR MT,POLY
6	543826	RC307MC,120V,PUMP,SH,CORD/TYGO
7	550592	STRAINER KIT,3/8 TUBE,SMALL
8	543826	RC307MC,120V,PUMP,SH,CORD/TYGO

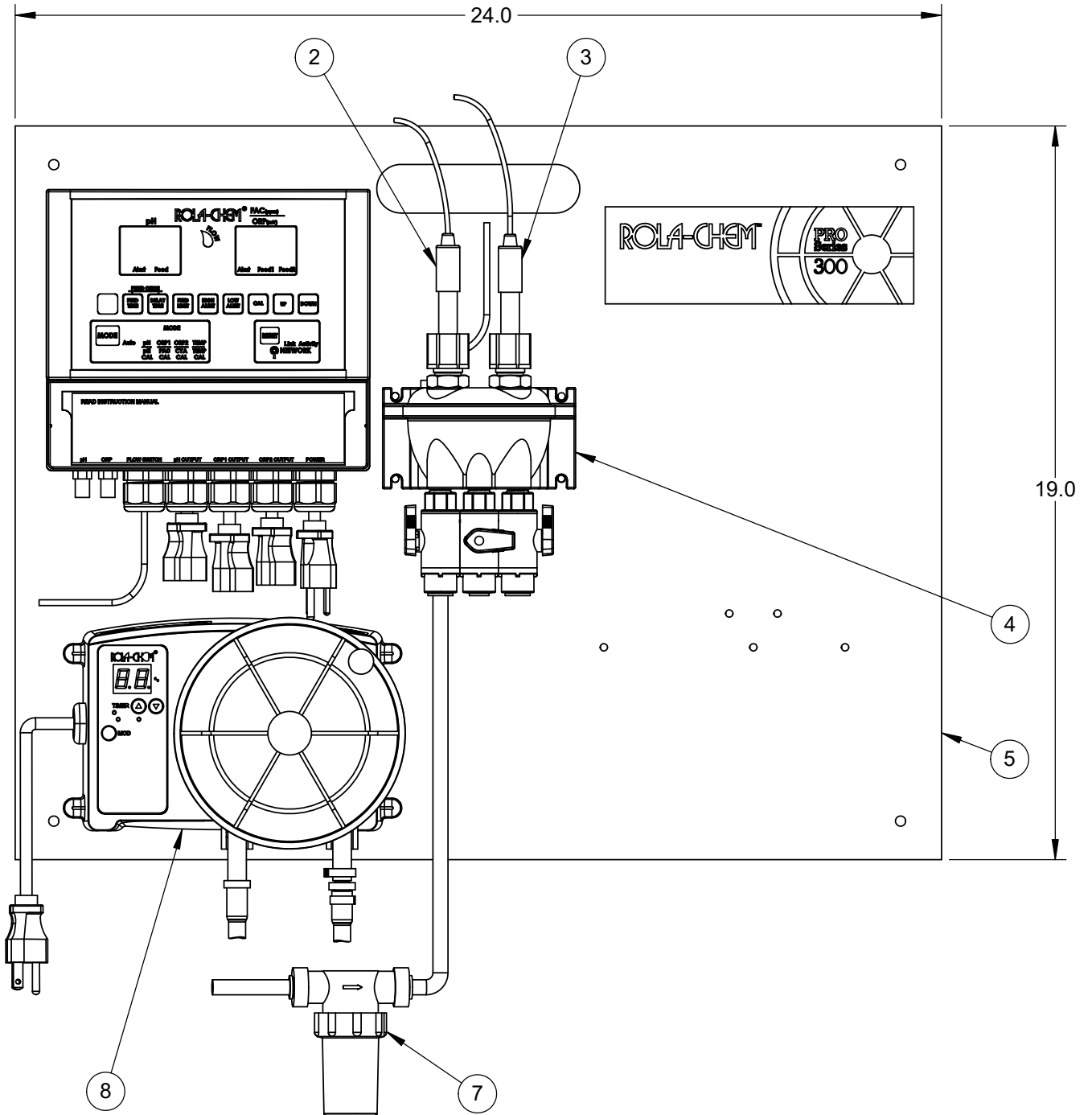


**555015**  
**S,PPM,N,3,3,T,305,--S**



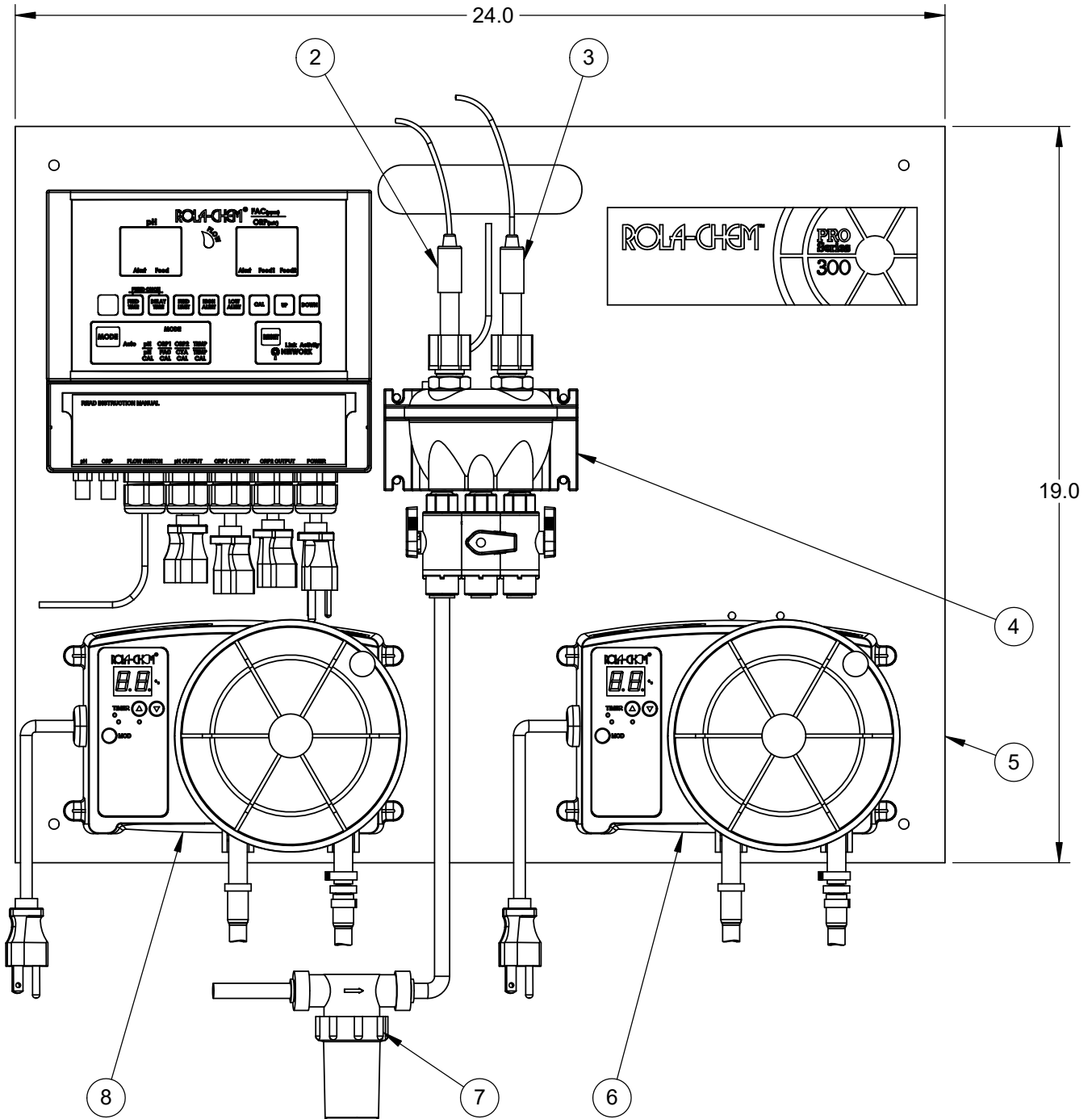
<b>555015 - S,PPM,N,3,3,T,305,--S</b>		
ITEM	PART NO.	DESCRIPTION
1	555002	DIG CONT-PPM(815B)-NSF
2	550208	PROBE,PH,HD,3FT CABLE
3	550209	PROBE,ORP,HD,3FT CABLE
4	550180	FLOWCELL,GLOBE,.375,W/GRD AS'Y
5	550158	BOARD-24X19,PUMP/CONTR MT,POLY
6	-----	
7	550592	STRAINER KIT,3/8 TUBE,SMALL
8	543820	RC305MC,120V,PUMP,SH,CORD/TYGO
9	550300	SOLENOID VALVE KIT,120V,1/2 NPT

**555016**  
**S,PPM,N,8,G,T,305**



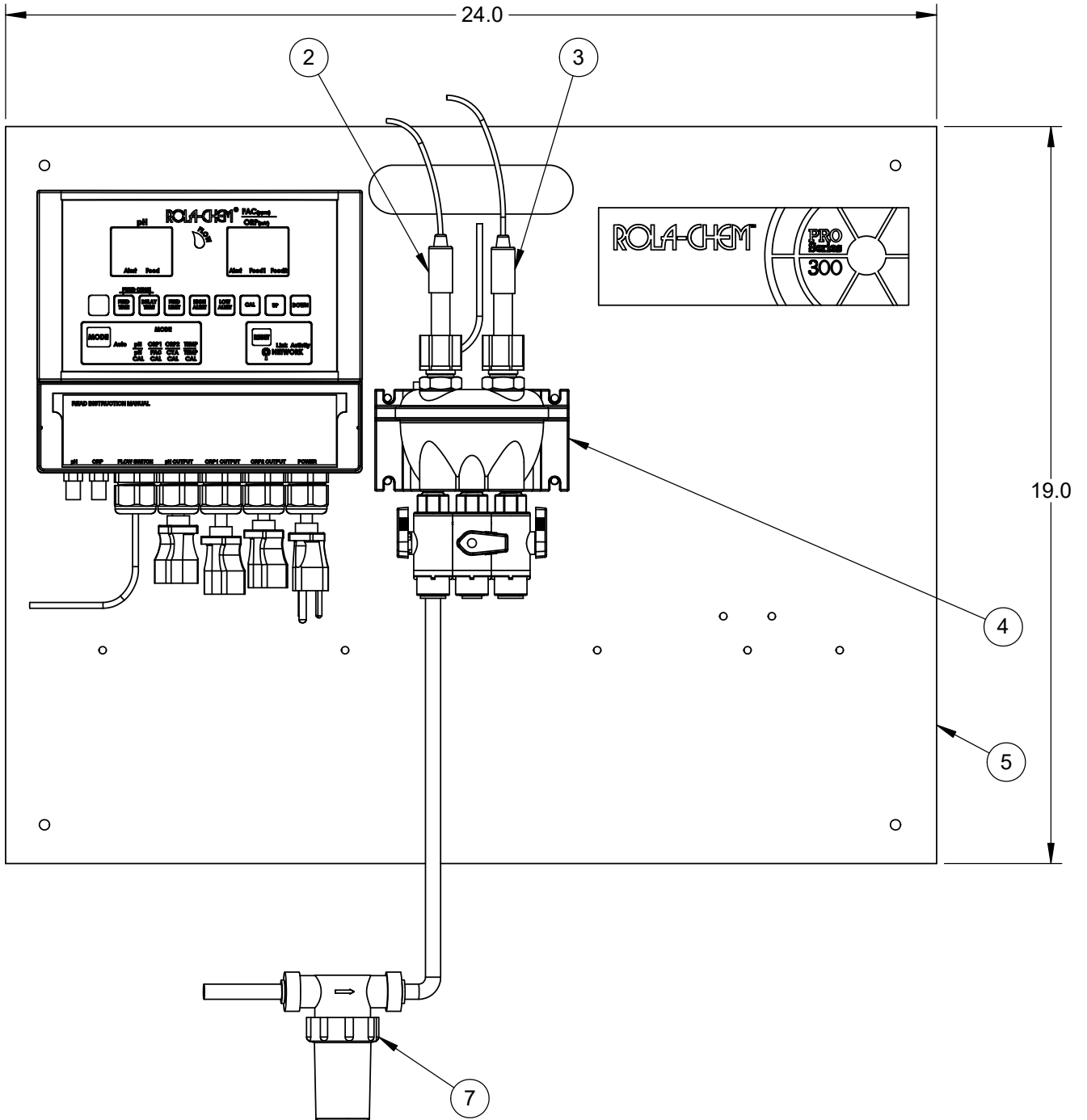
<b>555016 - S,PPM,N,8,G,T,305</b>		
ITEM	PART NO.	DESCRIPTION
1	555002	DIG CONT-PPM(815B)-NSF
2	550208	PROBE,PH,HD,3FT CABLE
3	550209	PROBE,ORP,HD,3FT CABLE
4	550180	FLOWCELL,GLOBE,.375,W/GRD AS'Y
5	550158	BOARD-24X19,PUMP/CONTR MT,POLY
6	-----	
7	550592	STRAINER KIT,3/8 TUBE,SMALL
8	543820	RC305MC,120V,PUMP,SH,CORD/TYGO

**555017**  
**S,PPM,N,3,3,T,305,307**



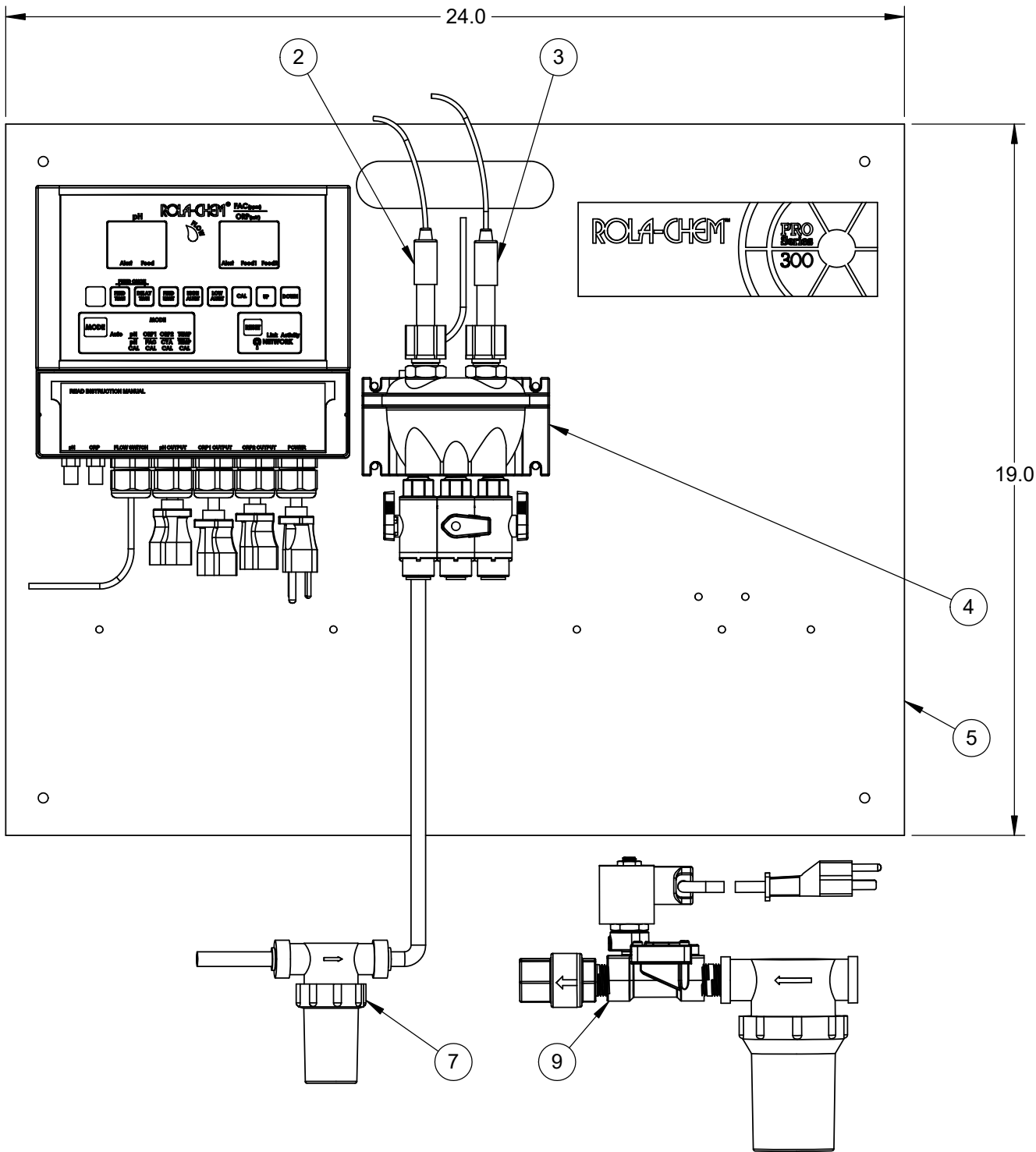
<b>555017 - S,PPM,N,3,3,T,305,307</b>		
ITEM	PART NO.	DESCRIPTION
1	555002	DIG CONT-PPM(815B)-NSF
2	550208	PROBE,PH,HD,3FT CABLE
3	550209	PROBE,ORP,HD,3FT CABLE
4	550180	FLOWCELL,GLOBE,.375,W/GRD AS'Y
5	550158	BOARD-24X19,PUMP/CONTR MT,POLY
6	543826	RC307MC,120V,PUMP,SH,CORD/TYGO
7	550592	STRAINER KIT,3/8 TUBE,SMALL
8	543820	RC305MC,120V,PUMP,SH,CORD/TYGO

**555018**  
**S,PPM,N,3,3,T**



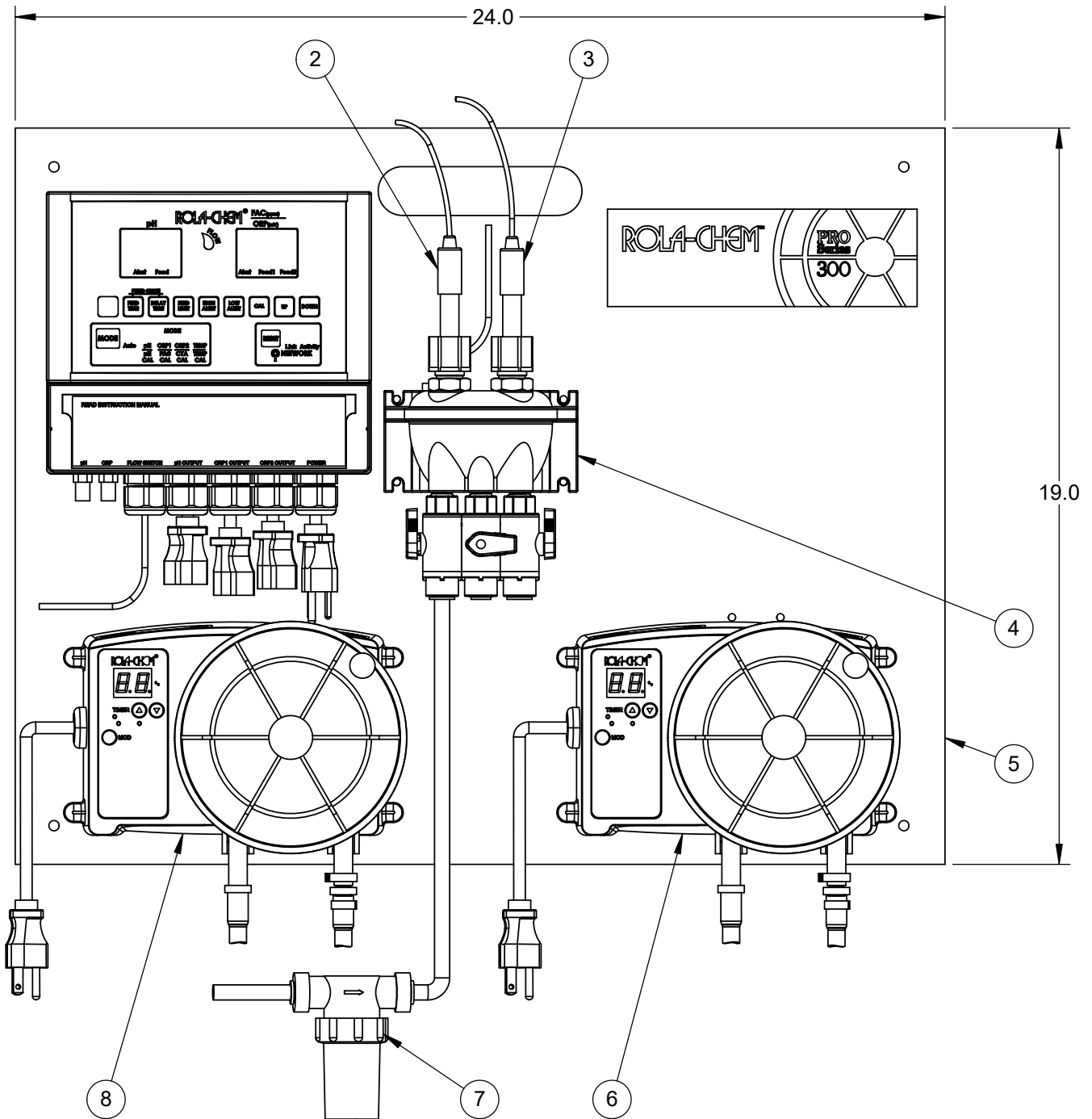
<b>555018 - S,PPM,N,3,3,T</b>		
ITEM	PART NO.	DESCRIPTION
1	555002	DIG CONT-PPM(815B)-NSF
2	550208	PROBE,PH,HD,3FT CABLE
3	550209	PROBE,ORP,HD,3FT CABLE
4	550180	FLOWCELL,GLOBE,.375,W/GRD AS'Y
5	550158	BOARD-24X19,PUMP/CONTR MT,POLY
6	-----	
7	550592	STRAINER KIT,3/8 TUBE,SMALL
8	-----	

**555019**  
**S,PPM,N,3,3,T,-S**



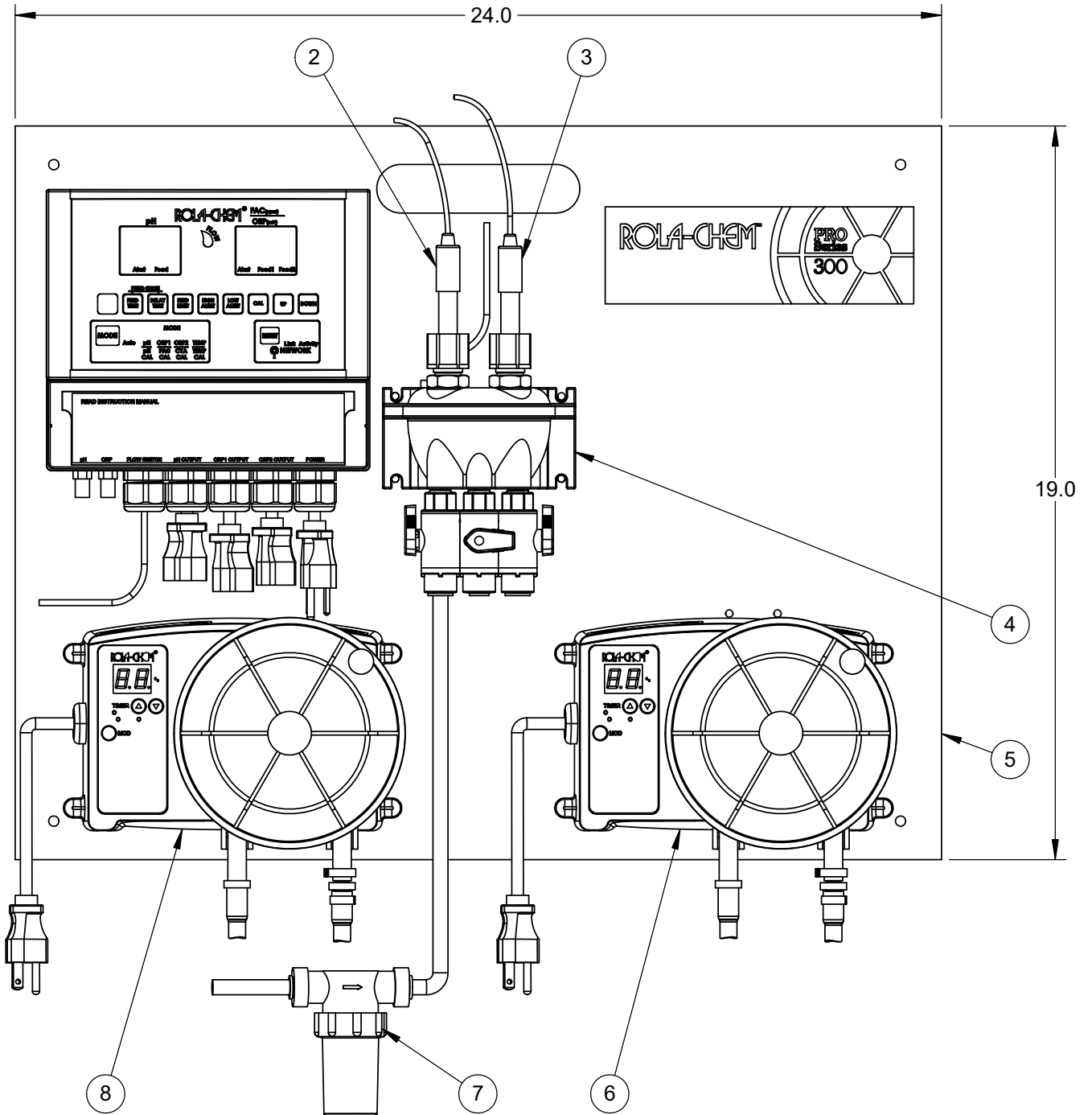
<b>555019 - S,PPM,N,3,3,T--S</b>		
ITEM	PART NO.	DESCRIPTION
1	555002	DIG CONT-PPM(815B)-NSF
2	550208	PROBE,PH,HD,3FT CABLE
3	550209	PROBE,ORP,HD,3FT CABLE
4	550180	FLOWCELL,GLOBE,.375,W/GRD AS'Y
5	550158	BOARD-24X19,PUMP/CONTR MT,POLY
	-----	
7	550592	STRAINER KIT,3/8 TUBE,SMALL
	-----	
9	550300	SOLENOID VALVE KIT,120V,1/2 NPT

**555022**  
**S,PPM,N,3,G,T,305,305**



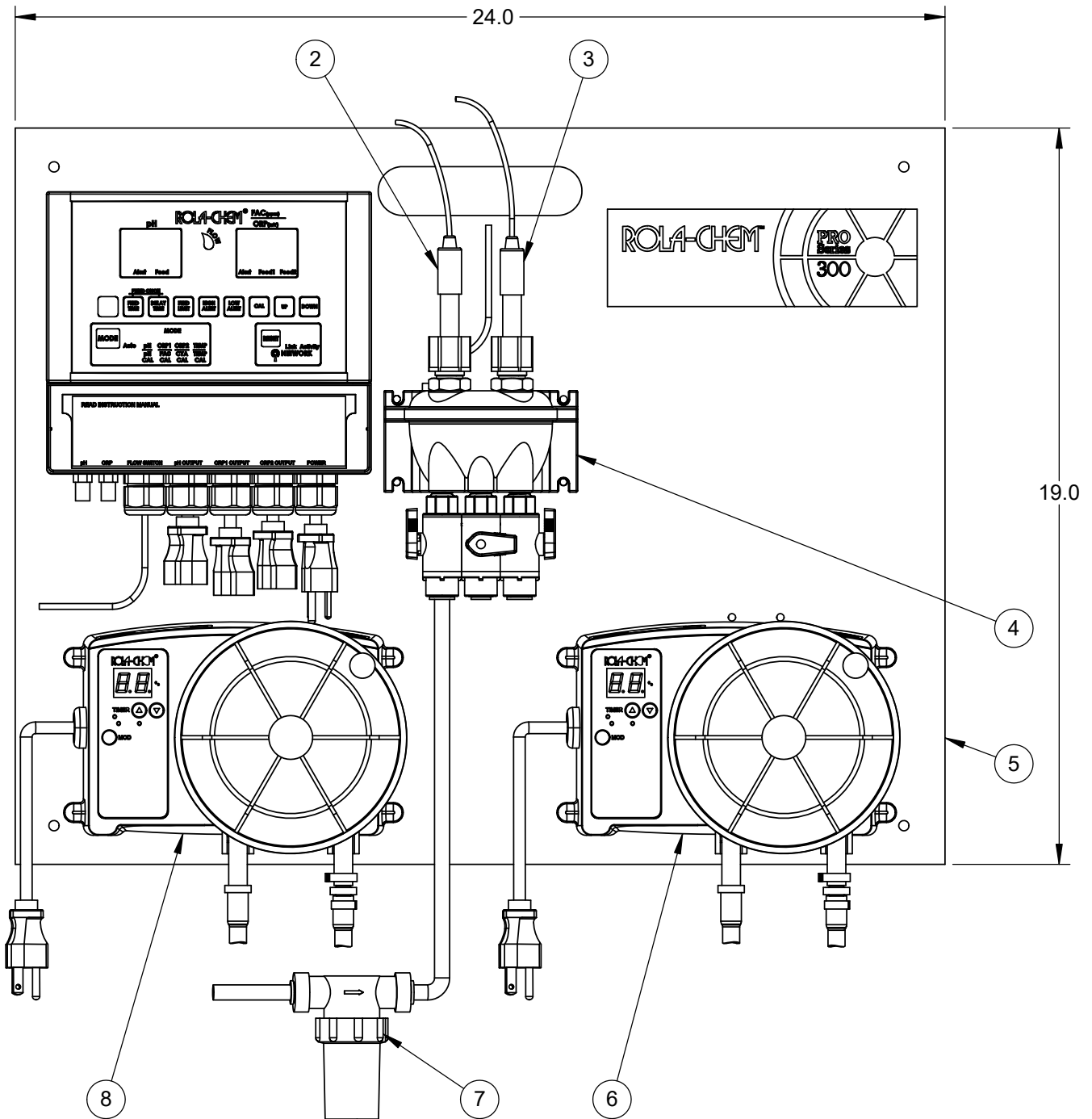
<b>555022 - S,PPM,N,3,G,T,305,305</b>		
ITEM	PART NO.	DESCRIPTION
1	555002	DIG CONT-PPM(815B)-NSF
2	550208	PROBE,PH,HD,3FT CABLE
3	550201	PROBE,ORP,HD,3FT CABLE
4	550180	FLOWCELL,GLOBE,.375,W/GRD AS'Y
5	550158	BOARD-24X19,PUMP/CONTR MT,POLY
6	543812	RC303MC,120V,PUMP,SHORT,CORD
7	550592	STRAINER KIT,3/8 TUBE,SMALL
8	543812	RC303MC,120V,PUMP,SHORT,CORD

**555023**  
**S,PPM,N,3,G,T,303,305**



<b>555023 - S,PPM,N,3,G,T,303,305</b>		
ITEM	PART NO.	DESCRIPTION
1	555002	DIG CONT-PPM(815B)-NSF
2	550208	PROBE,PH,HD,3FT CABLE
3	550201	PROBE,ORP,GOLD TIP, 8FT
4	550180	FLOWCELL,GLOBE,.375,W/GRD AS'Y
5	550158	BOARD-24X19,PUMP/CONTR MT,POLY
6	543820	RC305MC,120V,PUMP,SH,CORD/TYGO
7	550592	STRAINER KIT,3/8 TUBE,SMALL
8	543812	RC303MC,120V,PUMP,SHORT,CORD

**555024**  
**S,PPM,N,3,G,T,303,303**



<b>555024 - S,PPM,N,3,G,T,303,303</b>		
ITEM	PART NO.	DESCRIPTION
1	555002	DIG CONT-PPM(815B)-NSF
2	550208	PROBE,PH,HD,3FT CABLE
3	550201	PROBE,ORP,GOLD TIP, 8FT
4	550180	FLOWCELL,GLOBE,.375,W/GRD AS'Y
5	550158	BOARD-24X19,PUMP/CONTR MT,POLY
6	543820	RC305MC,120V,PUMP,SH,CORD/TYGO
7	550592	STRAINER KIT,3/8 TUBE,SMALL
8	543820	RC305MC,120V,PUMP,SH,CORD/TYGO